

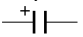

SCHEMATIC DIAGRAM

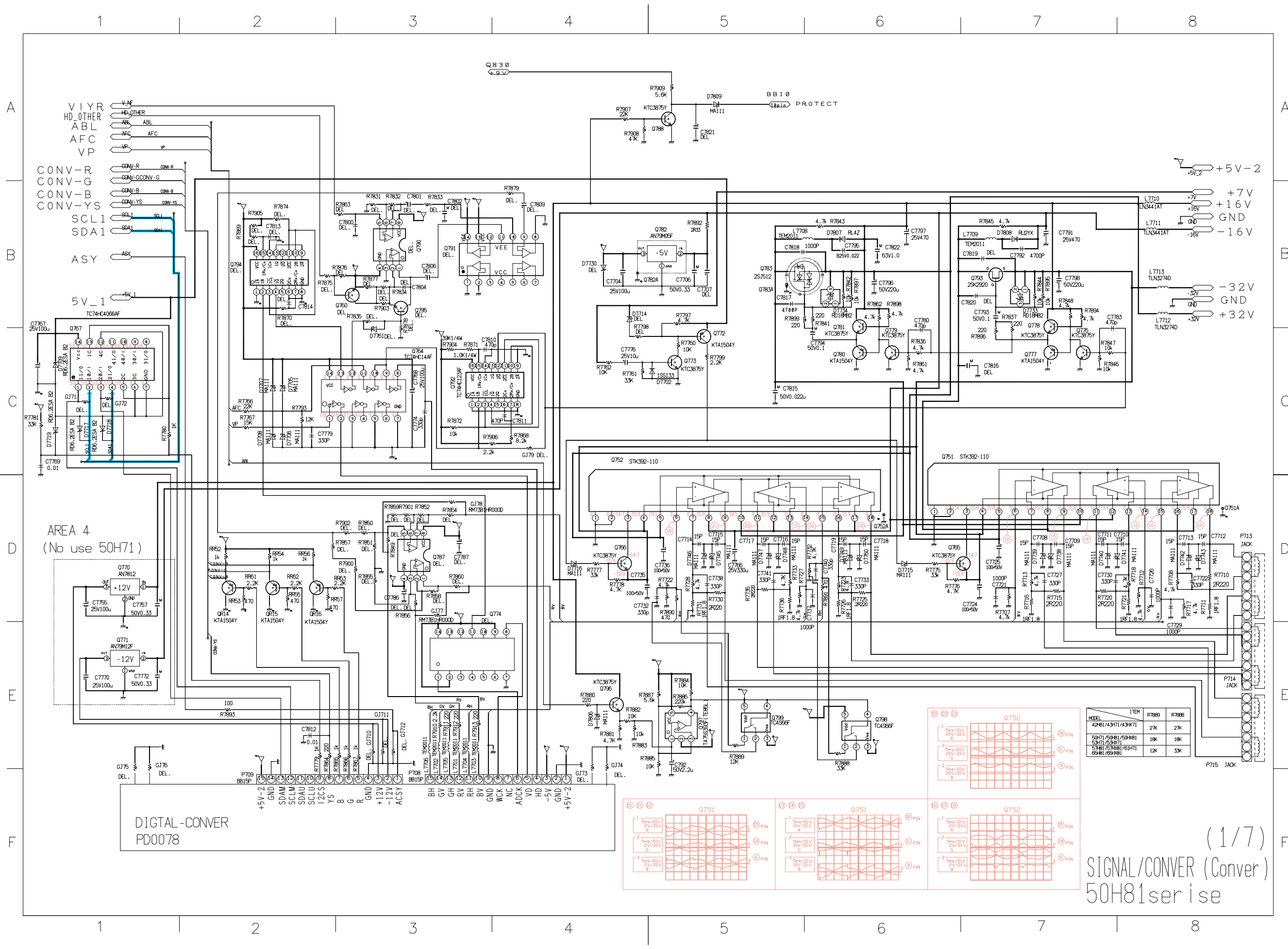
MODEL : 50H81 Chassis No. TAC0151

WARNING: BEFORE SERVICING THIS CHASSIS, READ THE "X-RAY RADIATION PRECAUTION", "SAFETY PRECAUTION" AND "PRODUCT SAFETY NOTICE" ON THE MANUAL FOR THIS MODEL.

CAUTION: The international hazard symbols " \triangle " in the schematic diagram and the parts list designate components which have special characteristics important for safety and should be replaced only with types identical to those in the original circuit or specified in the parts list. The mounting position of replacements is to be identical with originals. Before replacing any of these components, read carefully the PRODUCT SAFETY NOTICE on the MANUAL for this model. Do not degrade the safety of the receiver through improper servicing.

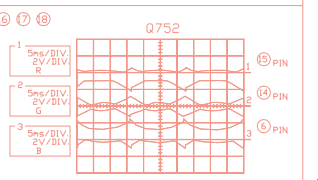
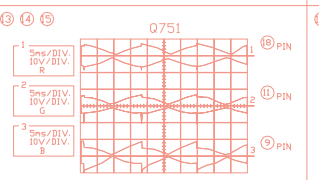
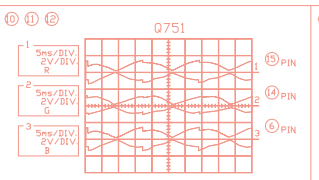
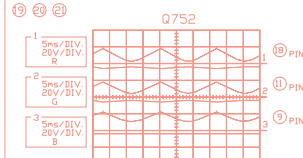
NOTE:

- RESISTOR** Resistance is shown in ohm [K = 1.000, M = 1.000.000]. All resistors are 1/6W and 5% tolerance carbon resistor, unless otherwise noted as the following marks.
1/2R = Metal or Metal oxide of 1/2 watt 1/2S = Carbon composition of 1/2 watt
1RF = Fuse resistor of 1 watt 10W = Cement of 10 watt
K = $\pm 10\%$ G = $\pm 2\%$ F = $\pm 1\%$
- CAPACITOR** Unless otherwise noted in schematic, all capacitor values less than 1 are expressed in μF , and the values more than 1 in pF.
All capacitors are ceramic 50V, unless otherwise noted as the following marks.
 Electrolytic capacitor  Mylar capacitor
- The parts indicated with " \triangle " have special characteristics, and should be replaced with identical parts only.
- Voltages read with DIGITAL MULTI-METER from point indicated to chassing ground, using a color bar signal with all controls at normal, line voltage 120 volts.
- Waveforms are taken receiving color bar signal with enough sensitivity.
- Voltage reading shown are nominal values and may vary $\pm 20\%$ except H.V.



AREA 4
(No use 50H71)

DIGITAL-CONVER
PD0078



MODEL	ITEM	R7889	R7888
4241/4371/43471		2K	2K
50471/50481/50491		18K	18K
5171/5181/5191		12K	33K

(1/7)
SIGNAL/CONVER (Conver)
50H81ser ise

A

V I Y R
HD_OTHER
ABL
AFC
VP

VAF
HD_OTHER
ABL
AFC
VP

CONV-R
CONV-G
CONV-B
CONV-YS

CONV-R
CONV-GCONV-G
CONV-B
CONV-YS

SCL1
SDA1

SCL
SDA

B

ASY

ASY

5V_1

+5V_1

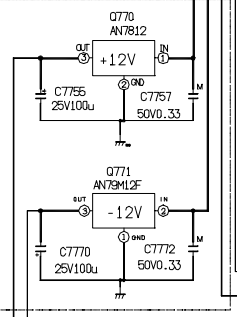
C

AREA 4
(No use 50H71)

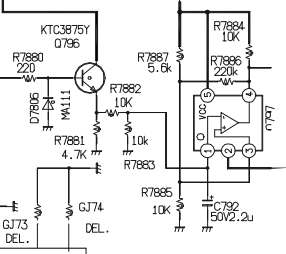
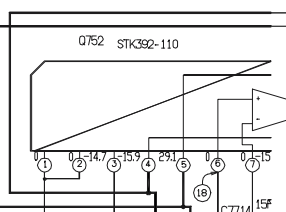
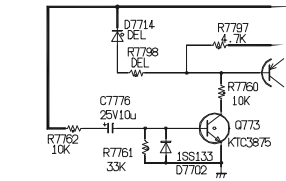
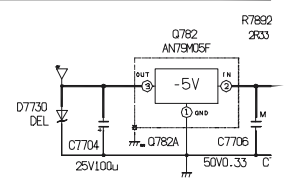
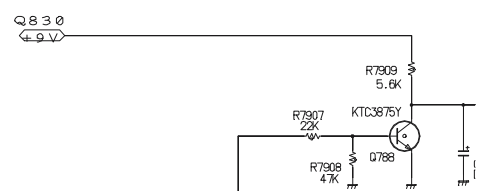
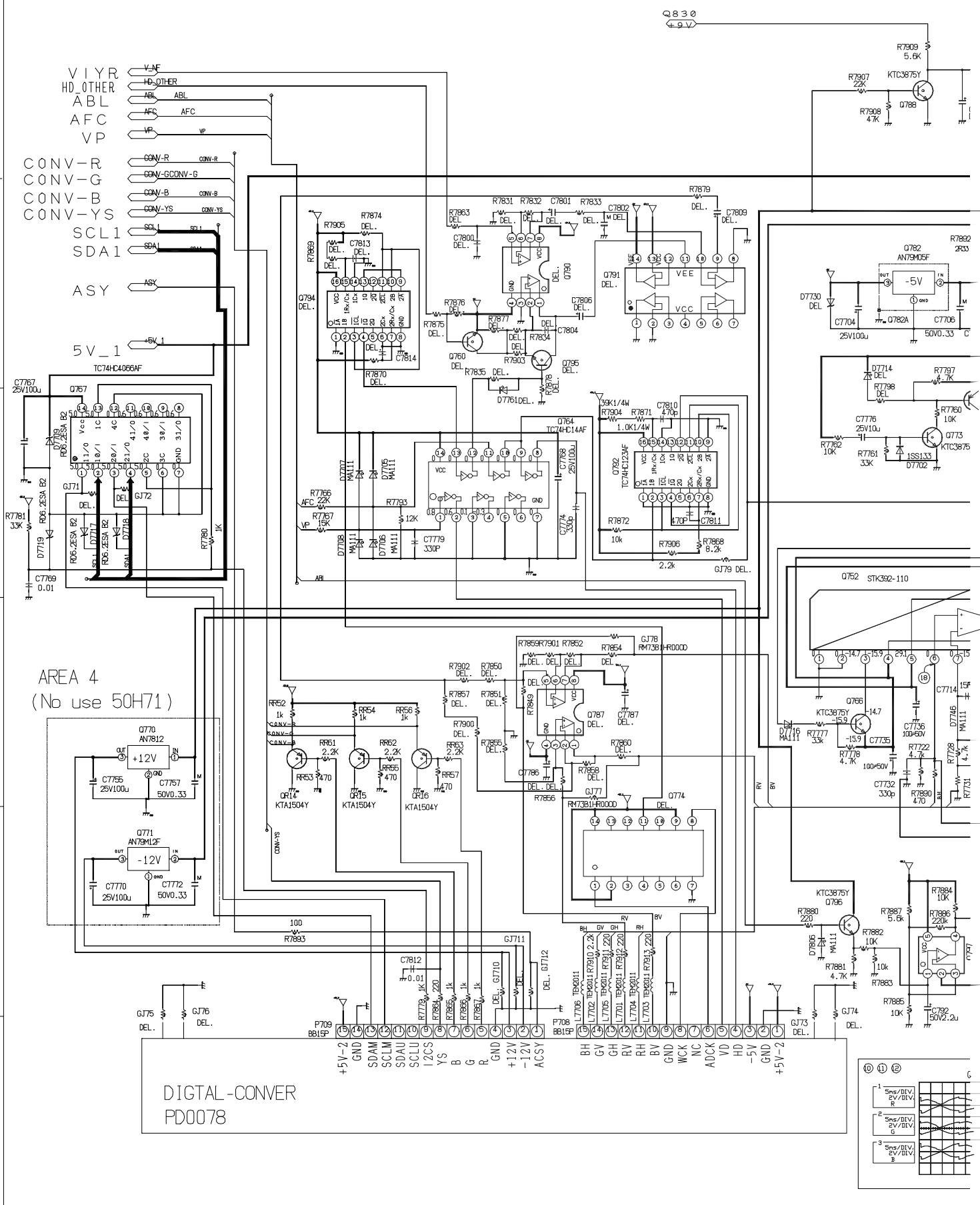
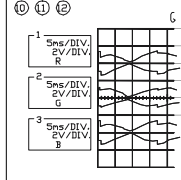
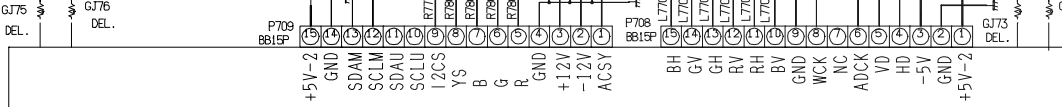
D

E

F



DIGITAL-CONVER
PDO078

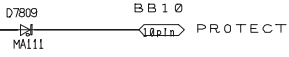


5

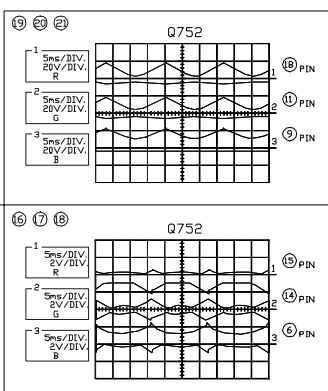
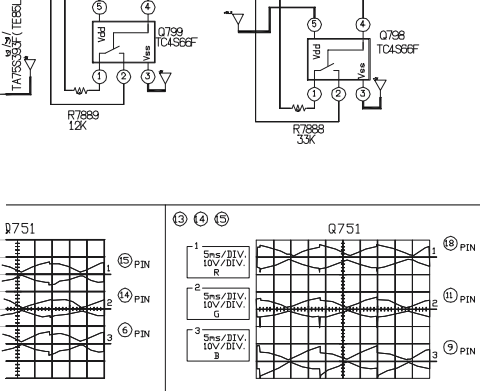
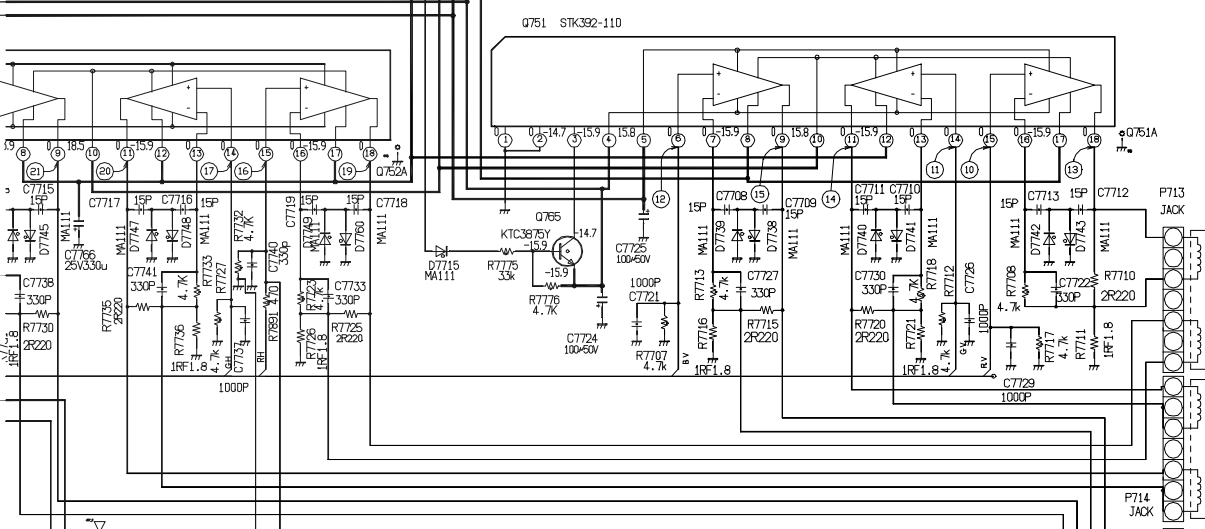
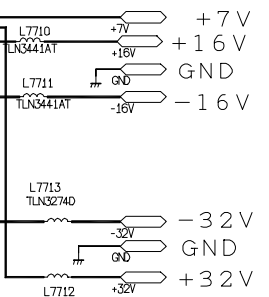
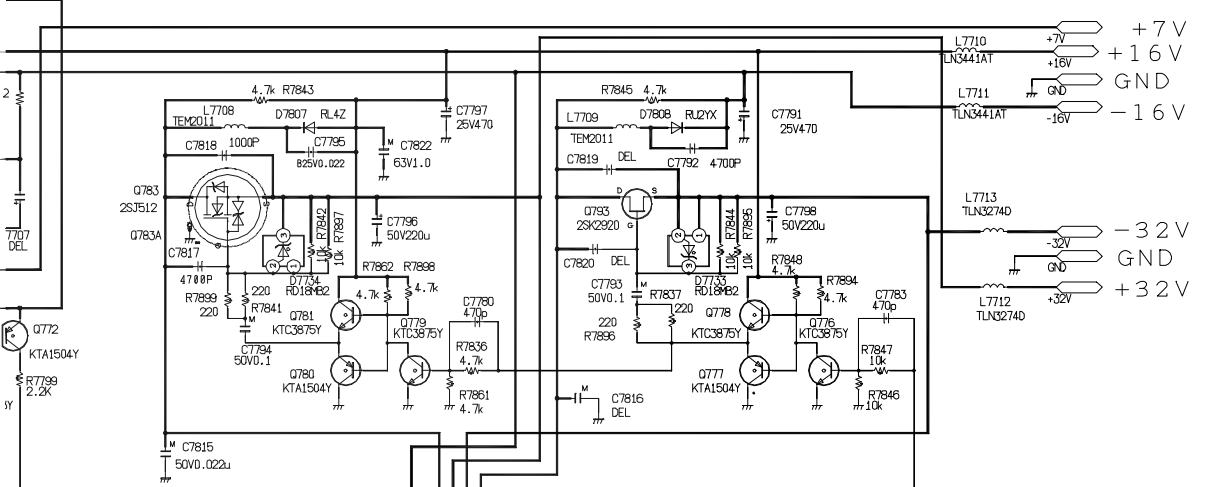
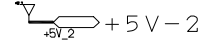
6

7

8



C7821 DEL



MODEL	ITEM	R7889	R7888
4281/43F11/43F-K71		27K	27K
50471/50481/50481		18K	18K
53171/53171			
57481/57481/61471		12K	33K
65481/65481			

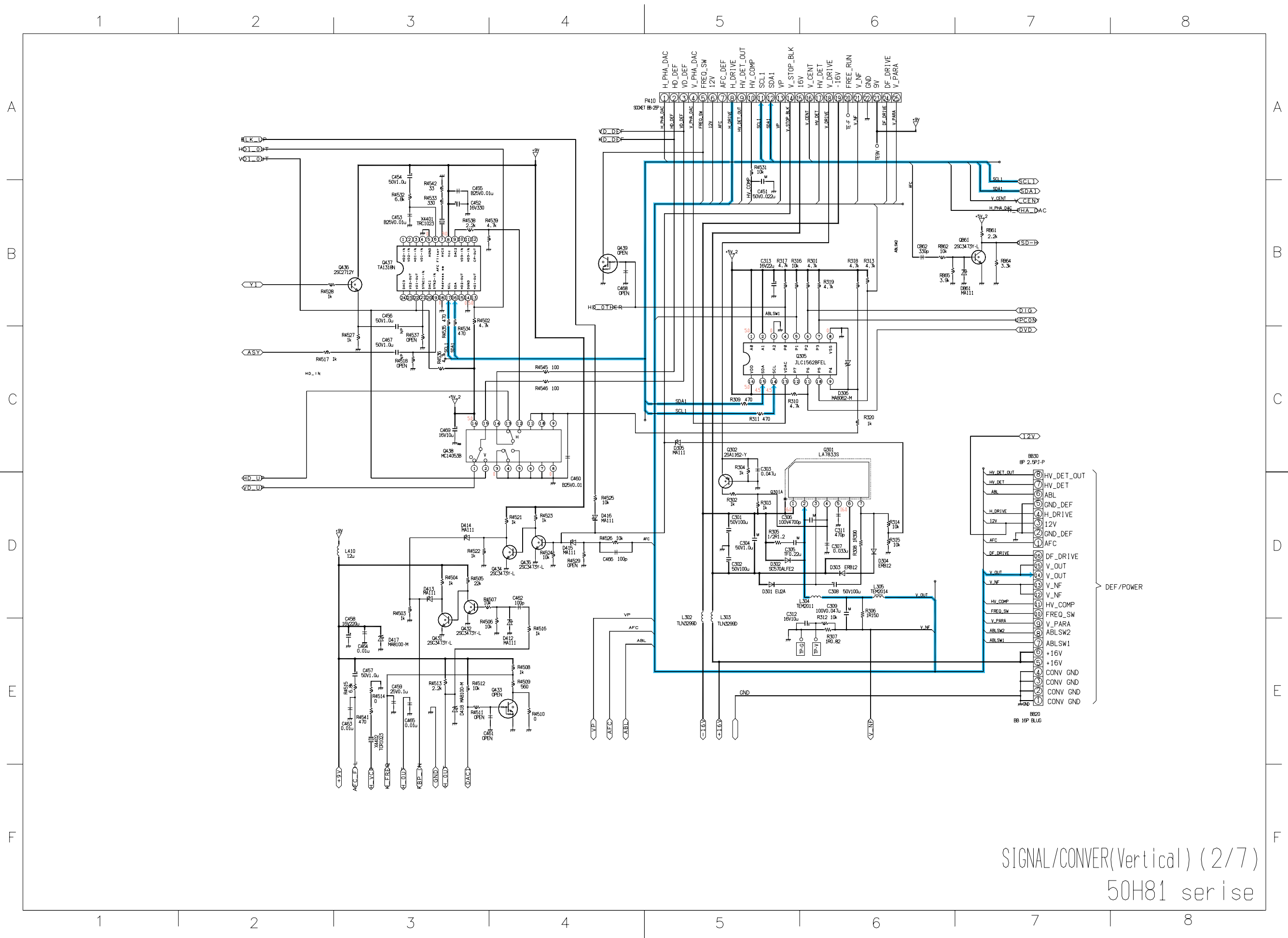
(1/7)
 SIGNAL/CONVER (Conver)
 50H81ser ise

5

6

7

8



SIGNAL/CONVER(Vertical) (2/7)
50H81 serise

1

2

3

4

A

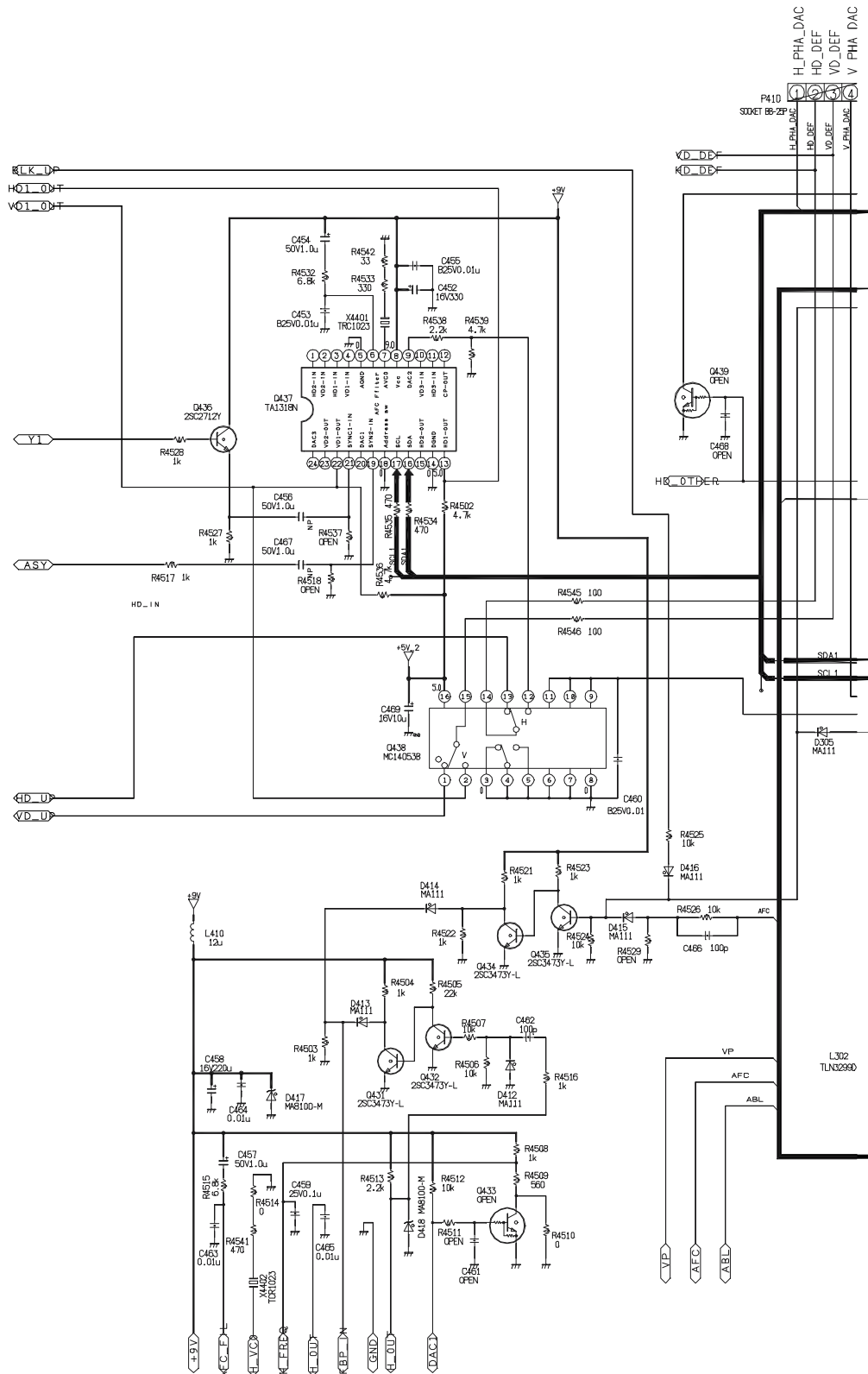
B

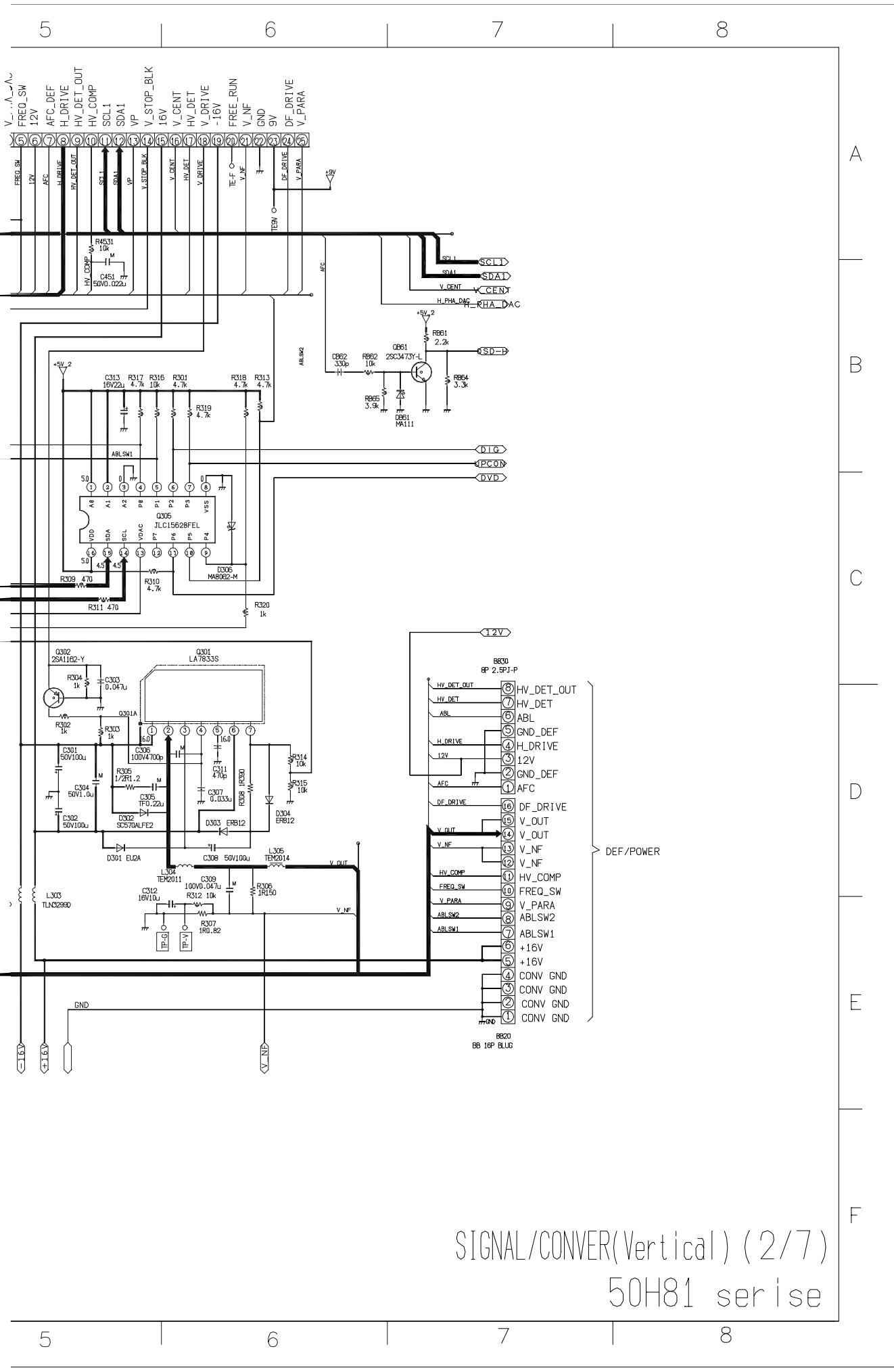
C

D

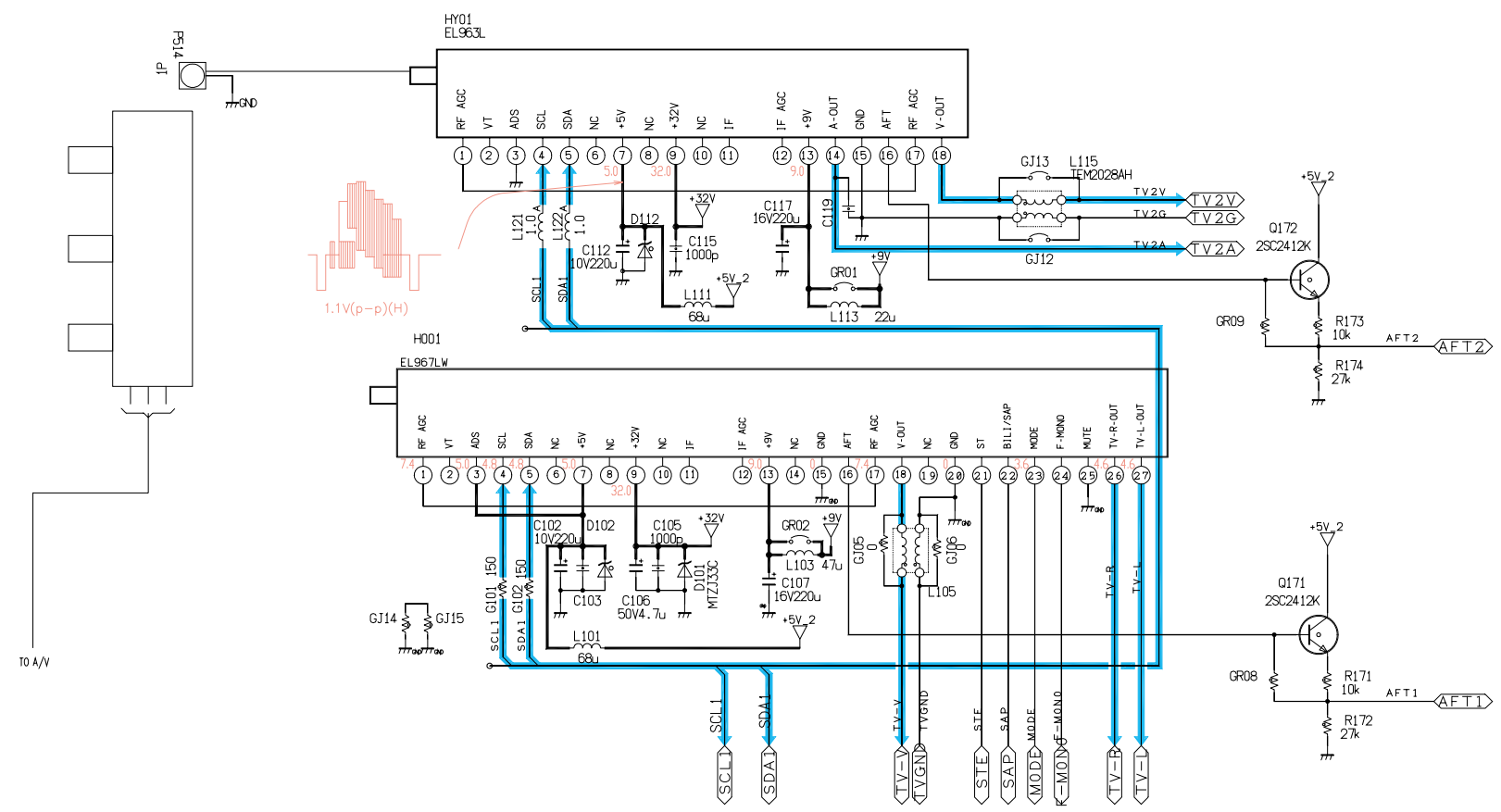
E

F



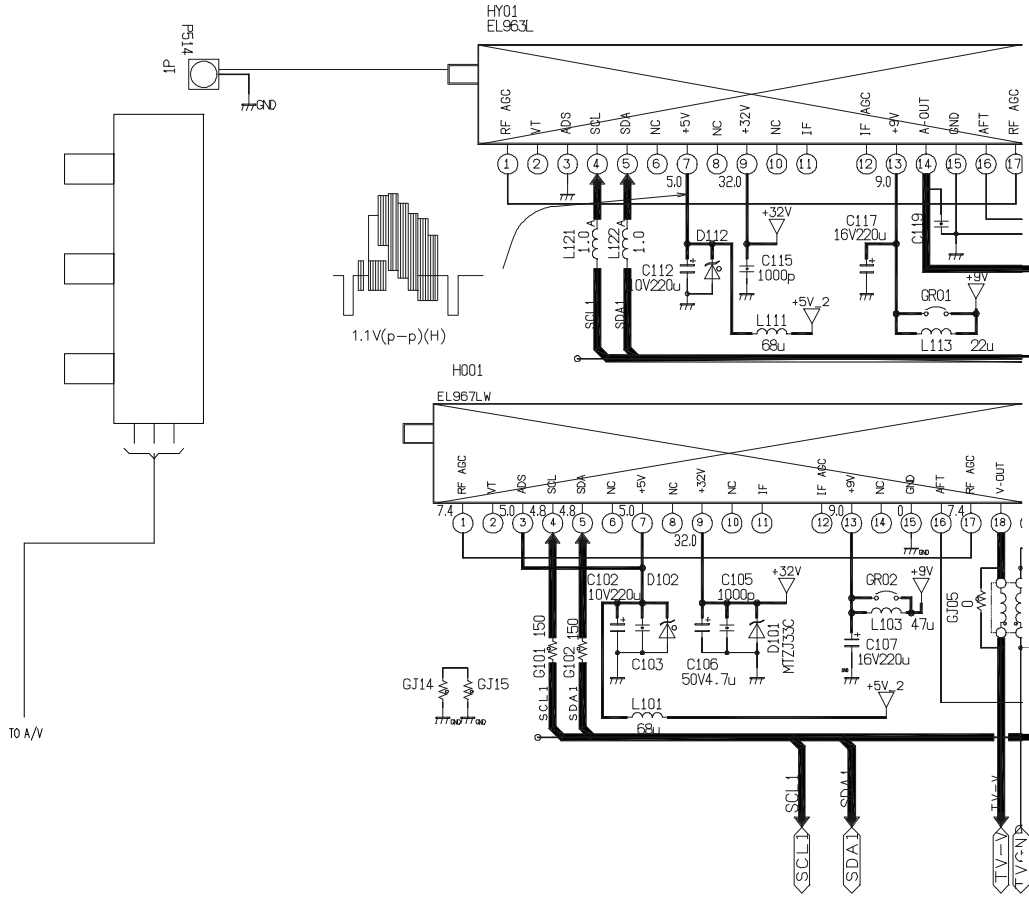


SIGNAL/CONVER(Vertical) (2/7)
50H81 serie



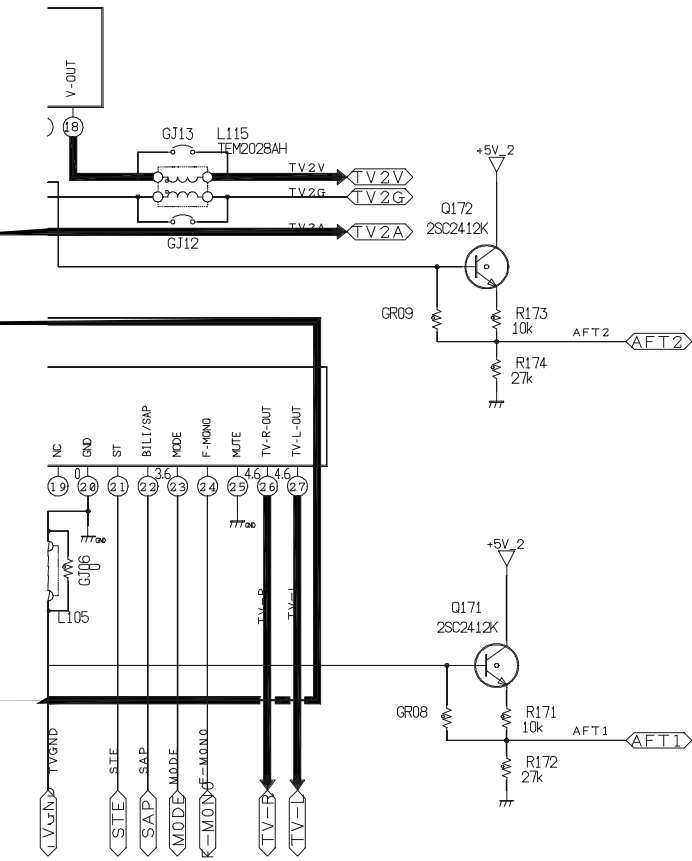
SIGNAL/CONVER(If) (3/7)
 50H81ser ise

A



TO A/V

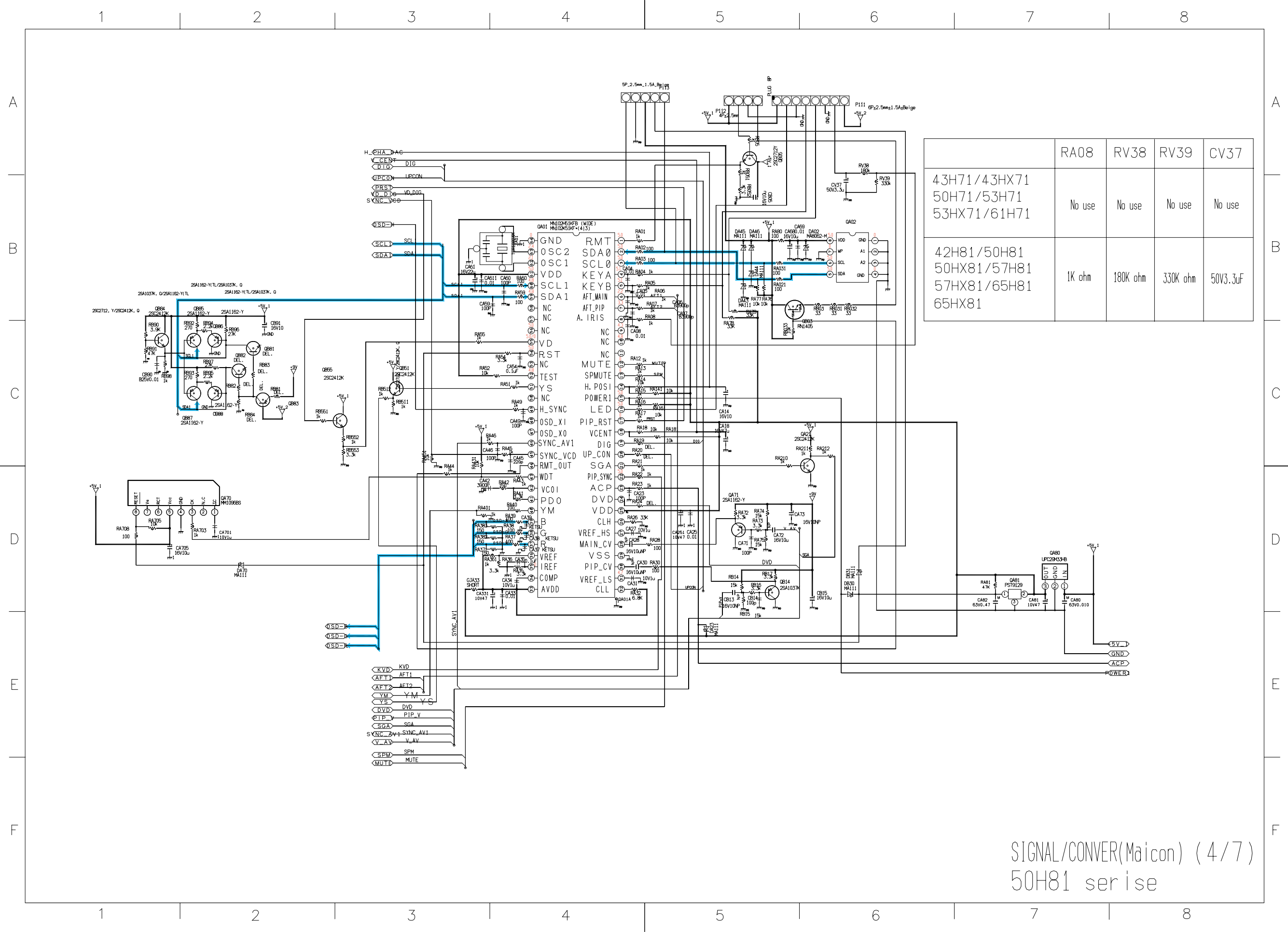
B



A

B

SIGNAL/CONVER(If) (3/7)
 50H81serie

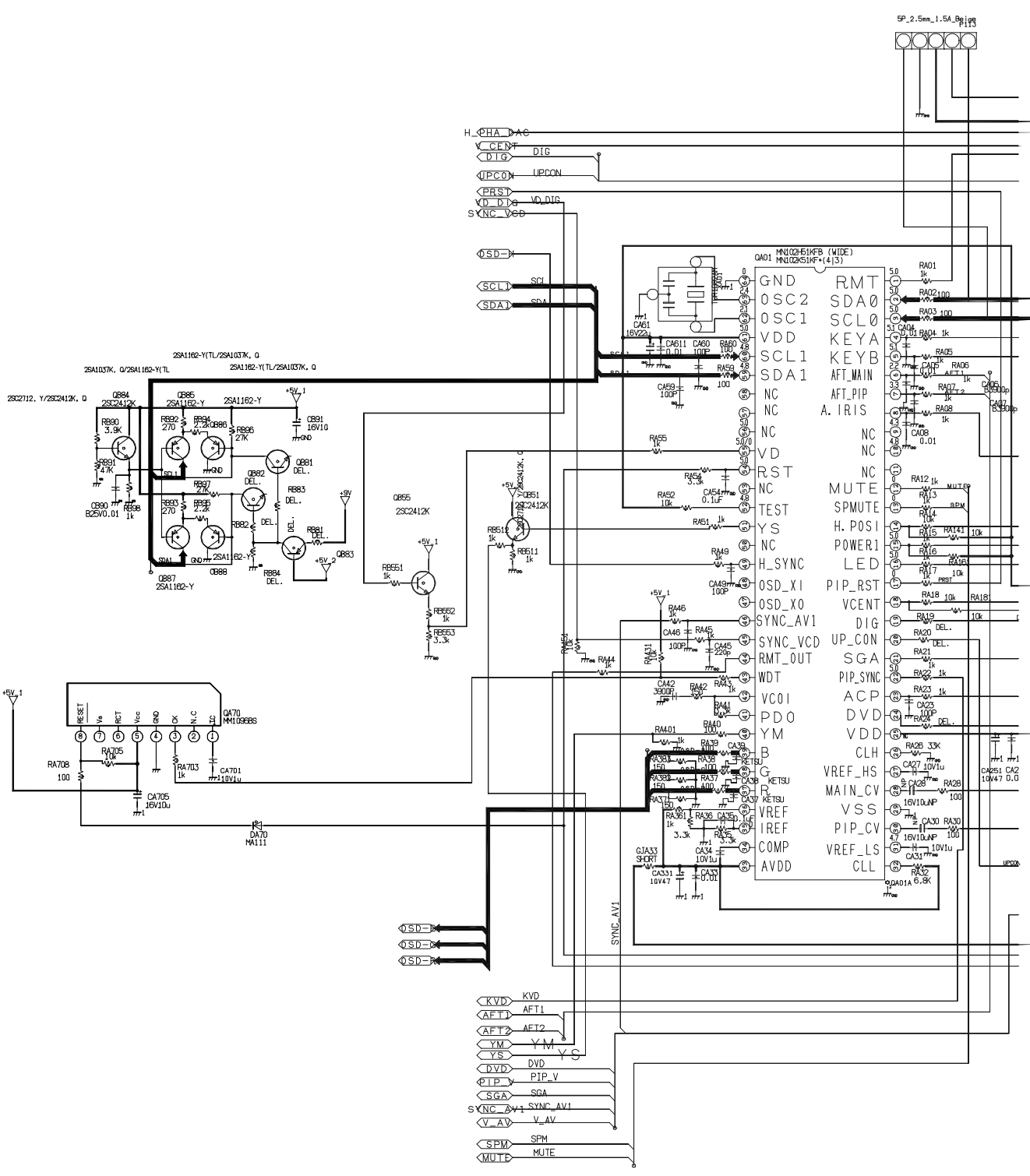


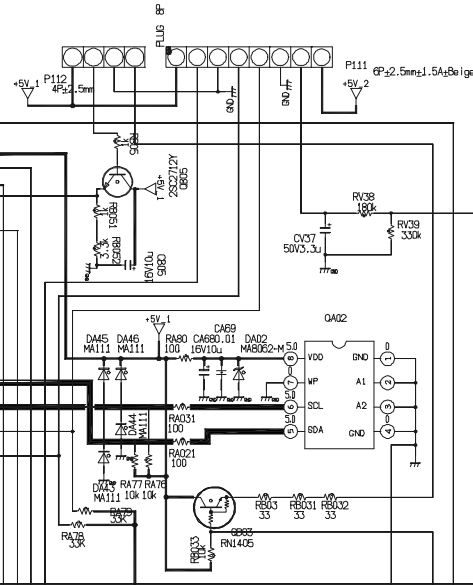
	RA08	RV38	RV39	CV37
43H71/43HX71 50H71/53H71 53HX71/61H71	No use	No use	No use	No use
42H81/50H81 50HX81/57H81 57HX81/65H81 65HX81	1K ohm	180K ohm	330K ohm	50V3.3uF

SIGNAL/CONVER(Maicon) (4/7)
50H81 serie

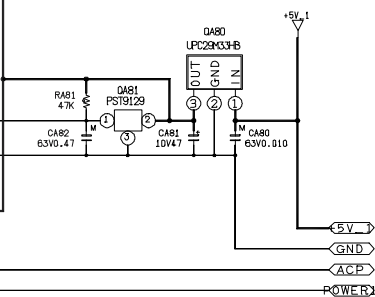
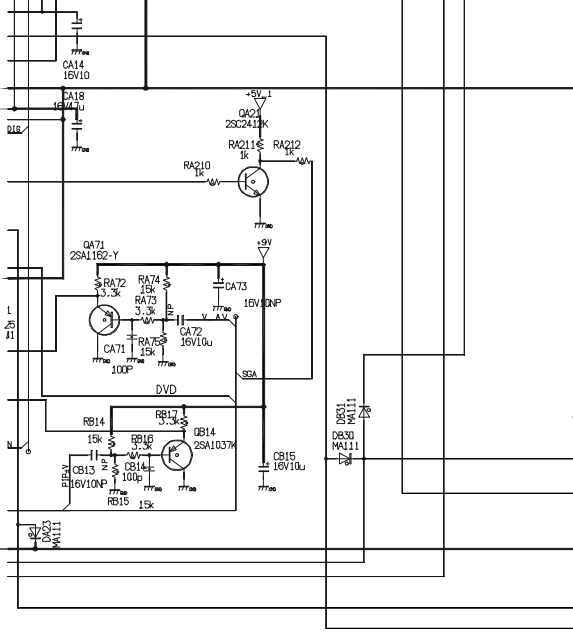
1 2 3 4

A
B
C
D
E
F





	RA08	RV38	RV39	CV37
43H71/43HX71 50H71/53H71 53HX71/61H71	No use	No use	No use	No use
42H81/50H81 50HX81/57H81 57HX81/65H81 65HX81	1K ohm	180K ohm	330K ohm	50V3.3uF



SIGNAL/CONVER(Malicon) (4/7)
50H81 serie

1

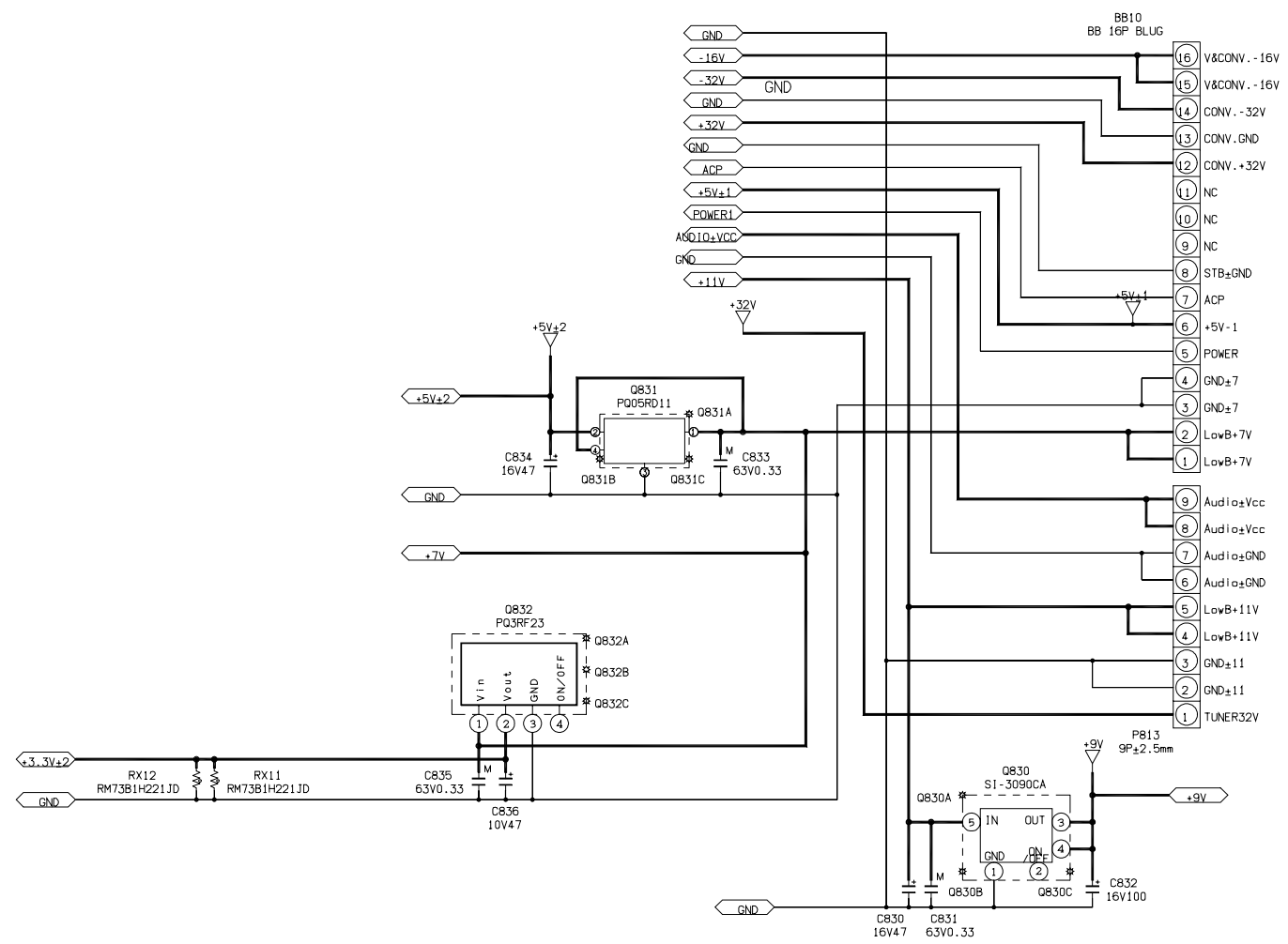
2

A

A

B

B



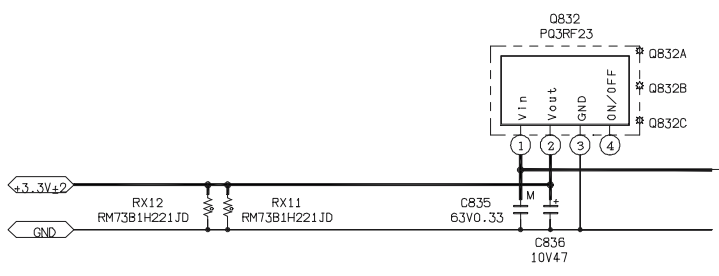
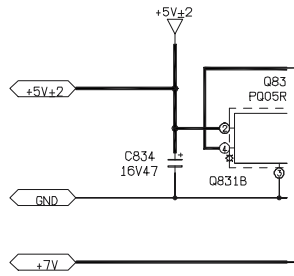
SIGNAL/CONVER(Power) (5/7)
 50H81 series

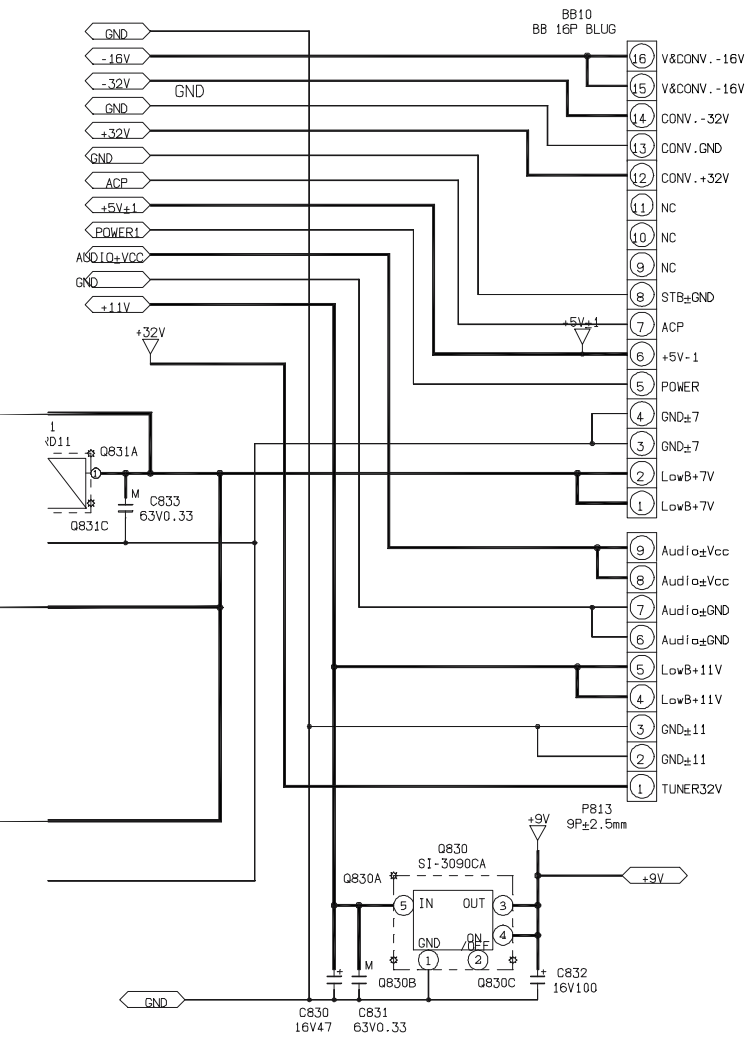
1

2

A

B





A

B

SIGNAL/CONVER(Power) (5/7)
50H81 series

1

2

3

4

A

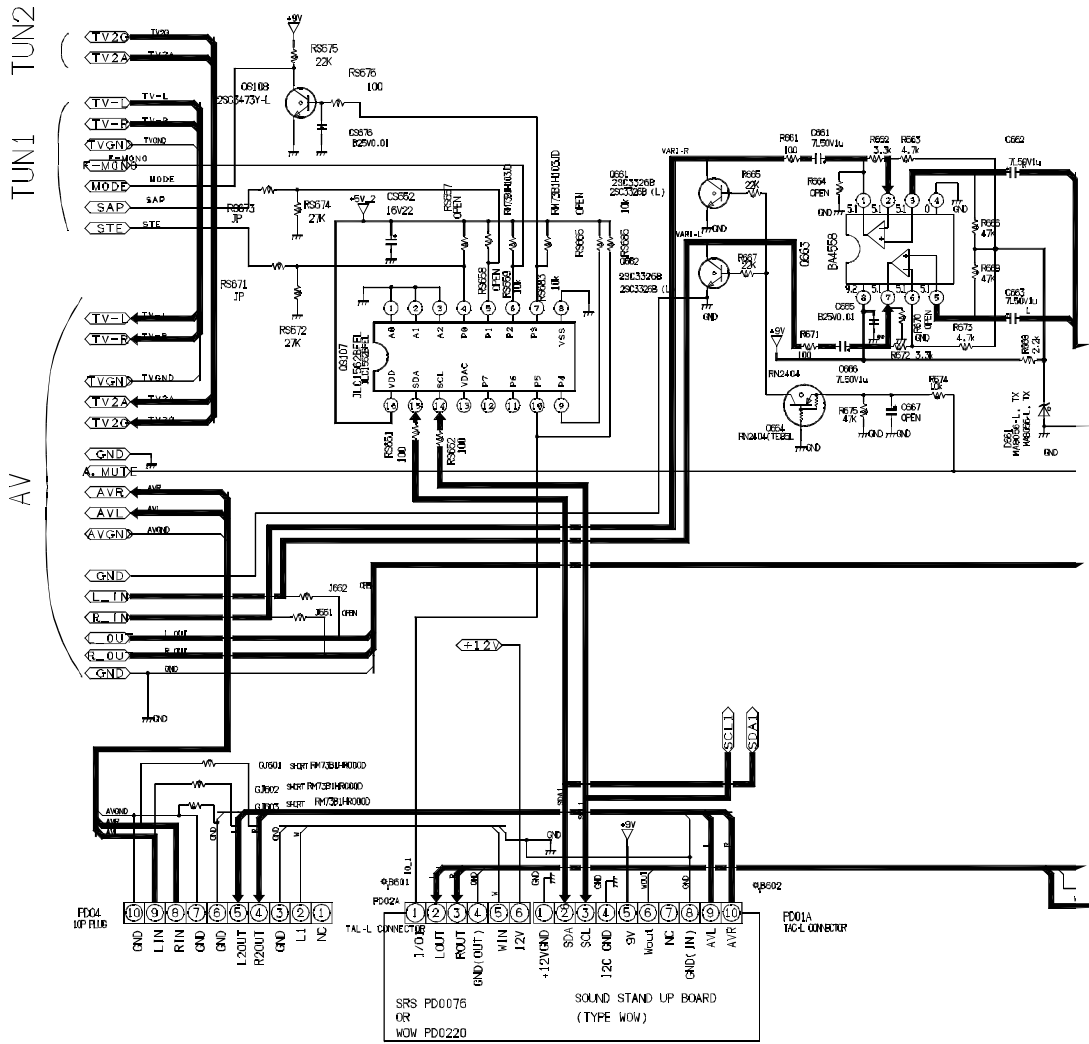
B

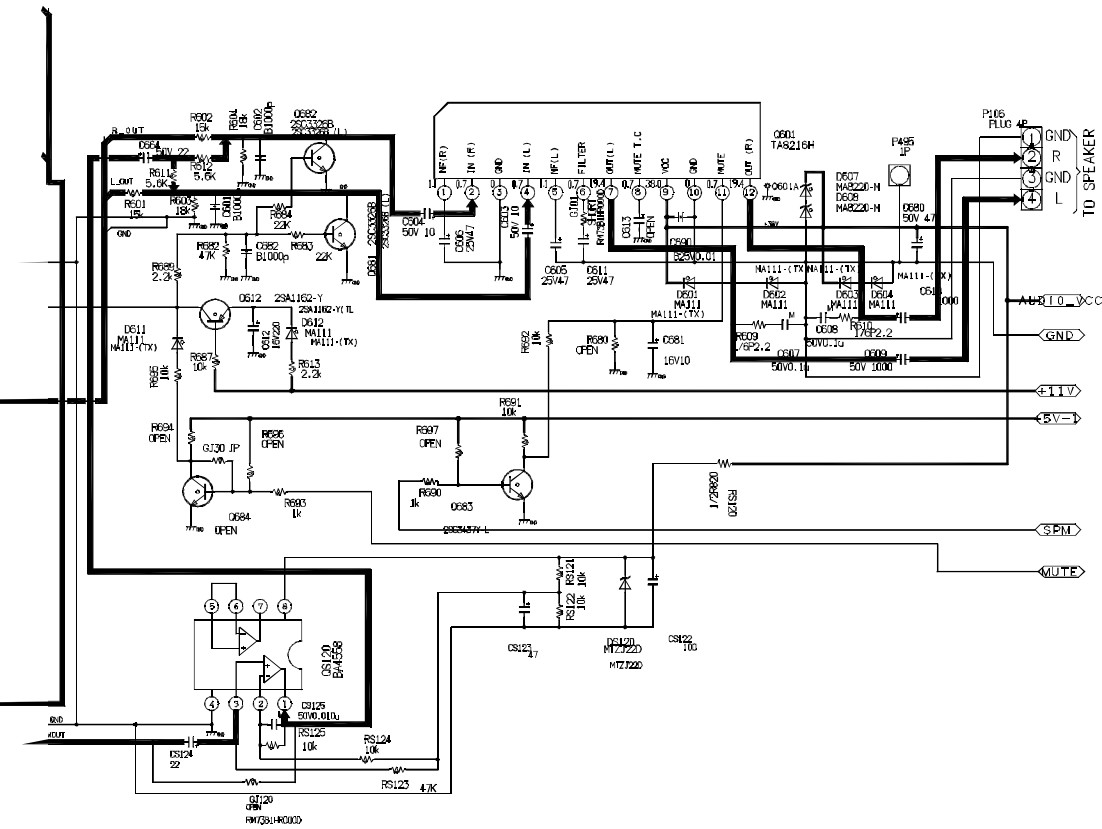
C

D

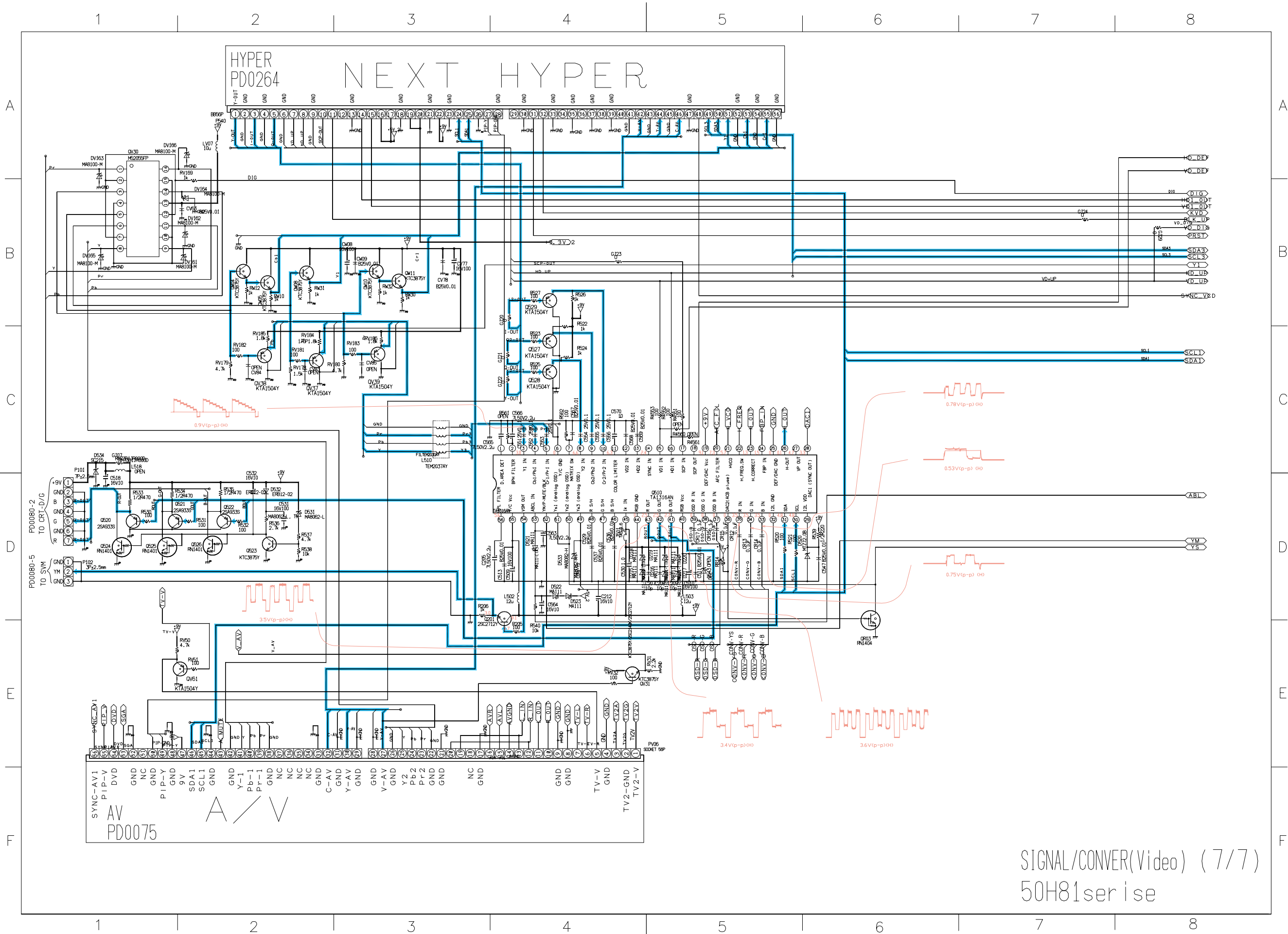
E

F





SIGNAL/CONVER(Audio)
 50H81serie (6/7)



SIGNAL/CONVER(Video) (7/7)
50H81ser ise

1

2

3

4

HYPER
PD0264

NEXT HYPER

A

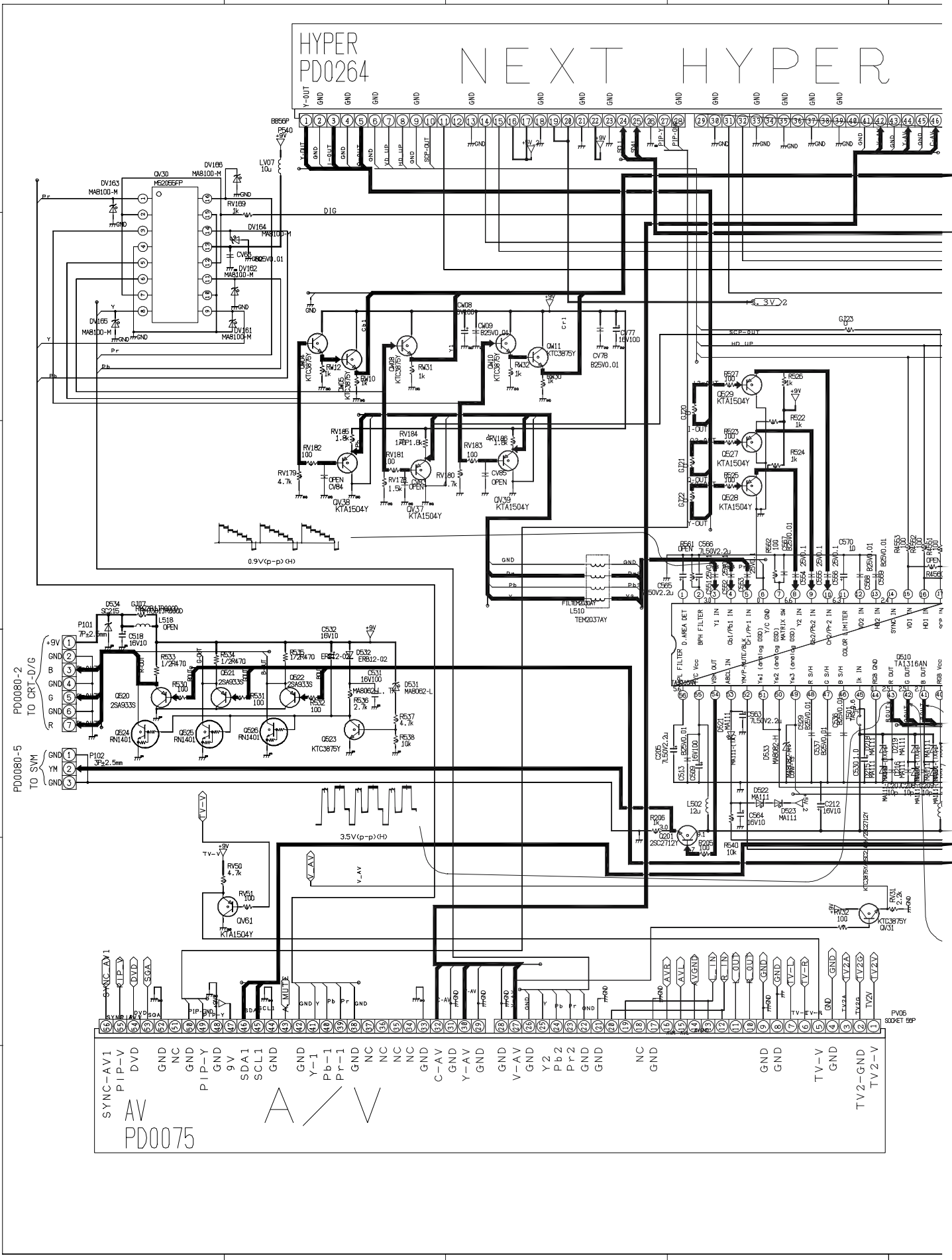
B

C

D

E

F



A / V

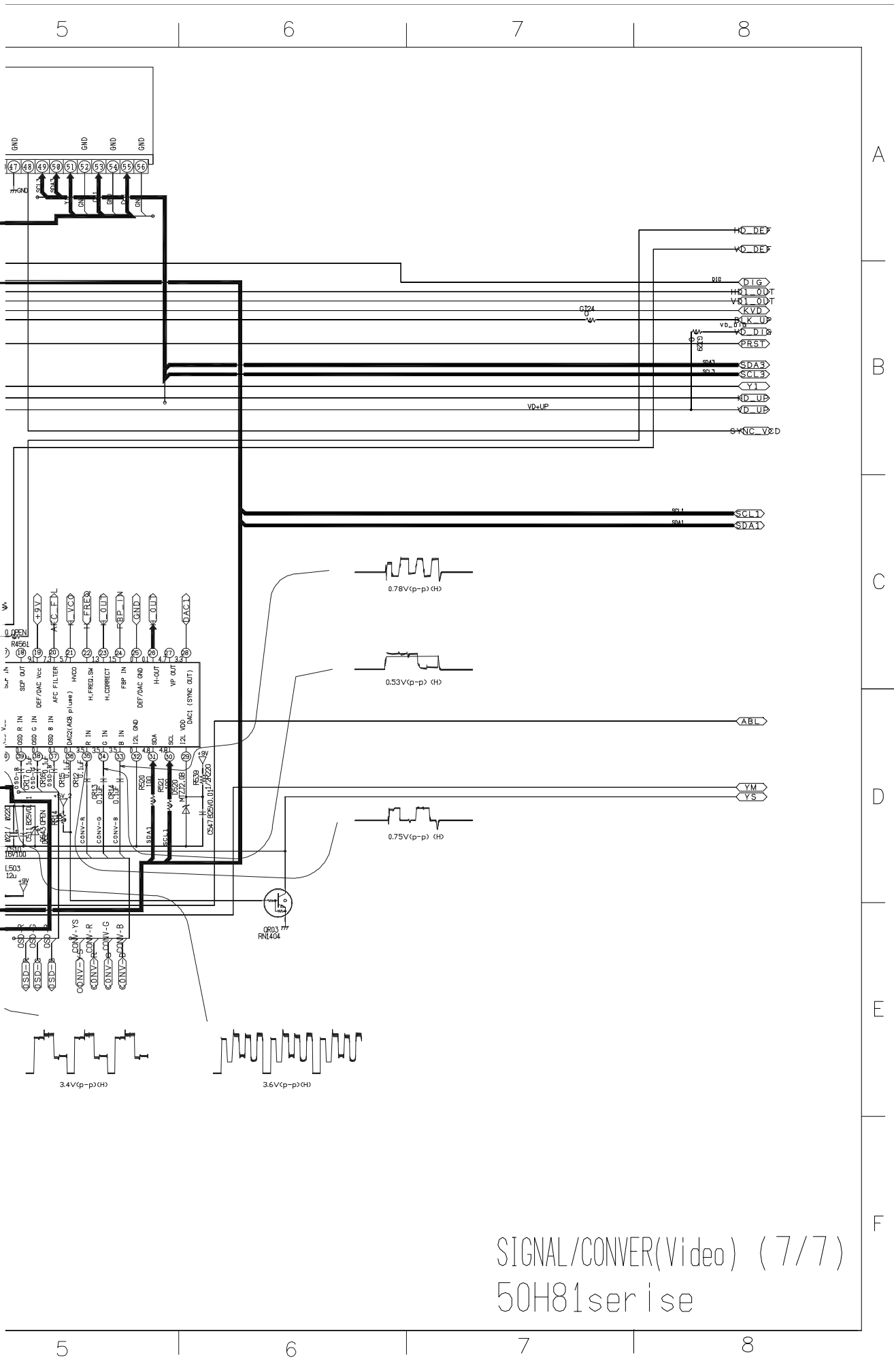
AV
PD0075

1

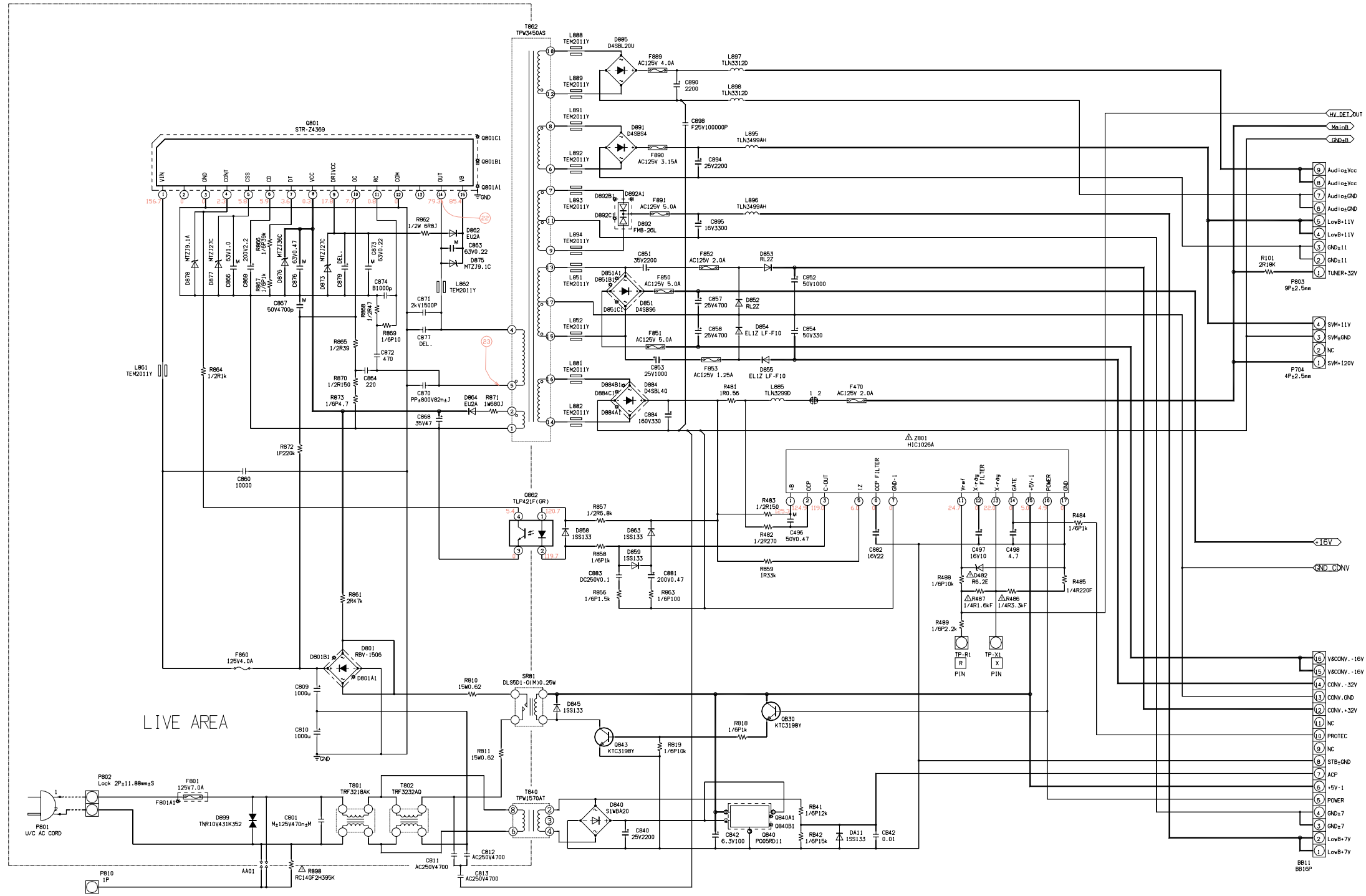
2

3

4



SIGNAL/CONVER(Video) (7/7)
50H81ser ise



LIVE AREA

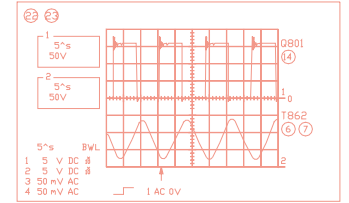
NOTE

1. RESISTOR Resistance is shown in ohm (k = 1,000, M = 1,000,000). All resistors are 1/8W and 5% tolerance carbon resistor unless otherwise noted as the following marks.
 1/2R | Metal or Metal oxide of 1/2 watt
 1R | Fuse resistor of 1 watt
 K = 50% G = 2% F = 1%

2. CAPACITOR Unless otherwise noted in schematic, all capacitor values less than 1 are expressed in pF, and the values more than 1 in μ F.
 All capacitors are ceramic 50V, unless otherwise noted as the following marks.
 $\text{---}||\text{---}$ Electrolytic capacitor
 $\text{---}||\text{---}$ Mylar capacitor

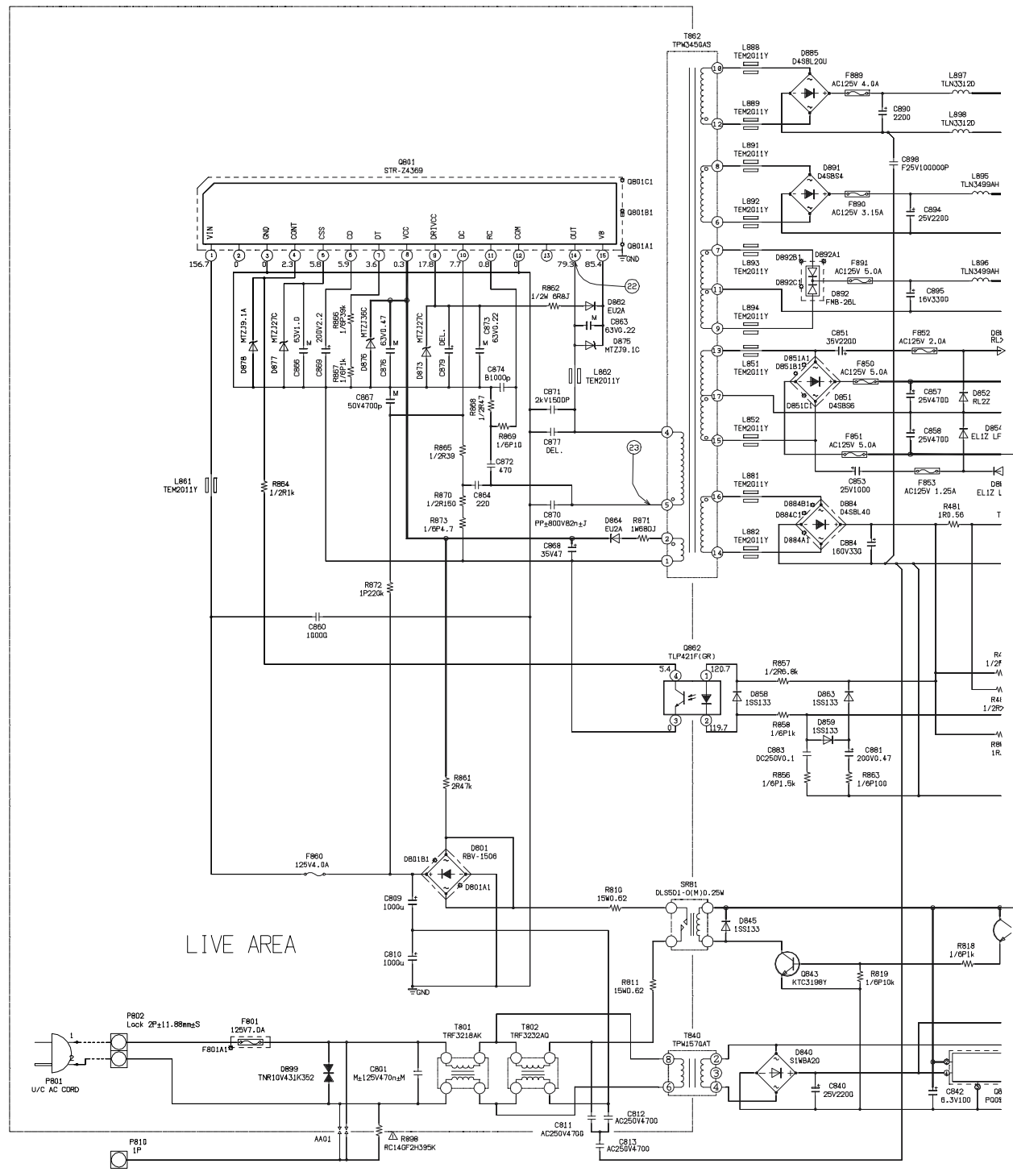
3. The parts indicated with Δ have special characteristics should be replaced with identical parts only.

4. This schematic diagram is the latest of the time of copying, so it must be changed in accordance with all informed modification notices.



PD0080-5(CRT-D/SVM) PD0073(SIGNAL/CONVER) PD0073(SIGNAL/CONVER)

POWER/DEF(Power)(1/2) 50H81 series



NOTE

<p>1. RESISTOR</p> <p>Resistance is shown in ohm (k = 1,000, M = 1,000,000) . All resistors are 1/8W and 5% tolerance carbon resistor, unless otherwise noted as the following marks.</p> <p>1/2R Metal or Metal oxide of 1/2 watt 1/2S Solid of 1/2 watt</p> <p>1R Fuse resistor of 1 watt 10W Cement of 10 watts</p> <p>K = 50% G = 2% F = 1%</p>	<p>2. CAPACITOR</p> <p>Unless otherwise noted in schematic, all capacitor value less than 1 are expressed in μF, and the values more than 1 in μF.</p> <p>All capacitors are ceramic 50V, unless otherwise noted as the following marks.</p> <p>⏏ Electrolytic capacitor ⏏ Mylar capacitor</p> <p>3. The parts indicated with Δ have special characteristics should be replaced with identical parts only.</p> <p>4. This schematic diagram is the latest time of copying, so it must be changed in accordance with all informed modification notices.</p>
---	---

5

6

7

8

A

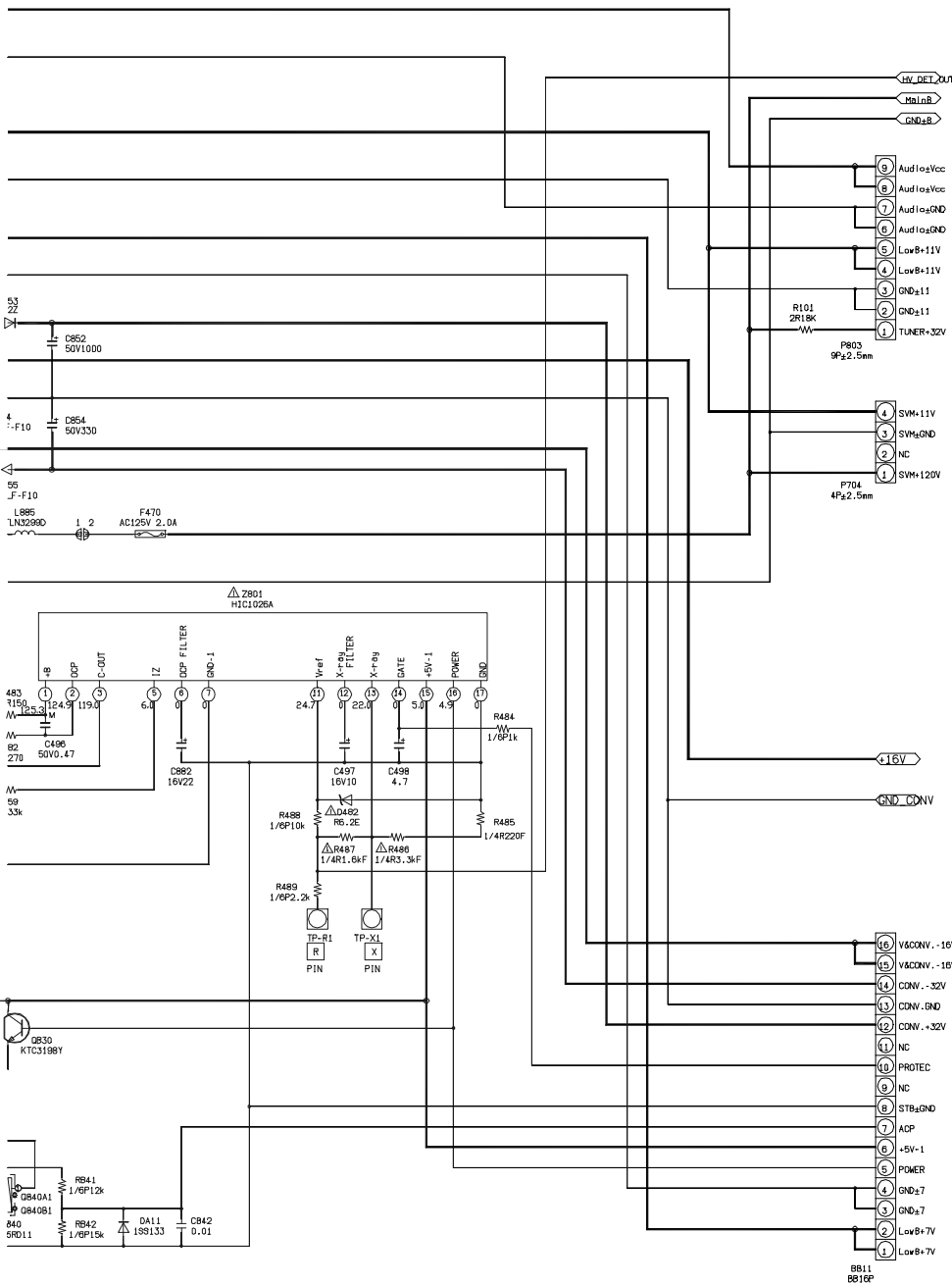
B

C

D

E

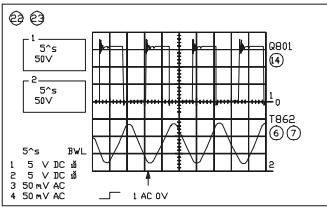
F



PD0073(SIGNAL/CONVER)

PD0080-5(CRT-D/SVM)

PD0073(SIGNAL/CONVER)



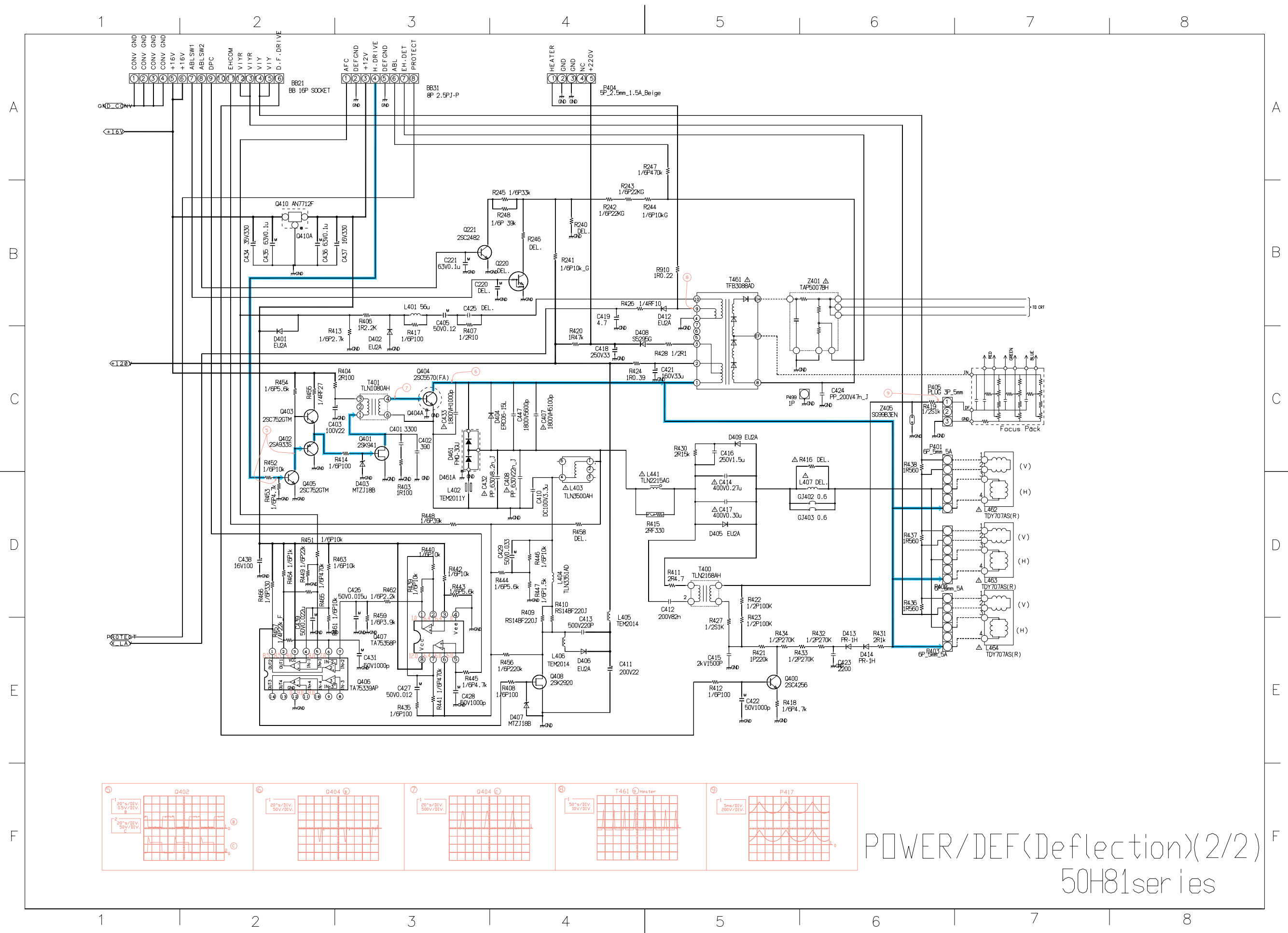
POWER/DEF(Power)(1/2)
50H81 serie

5

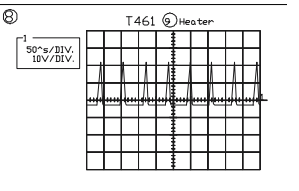
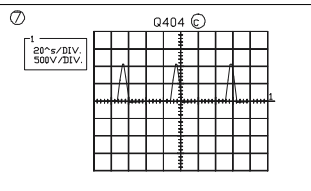
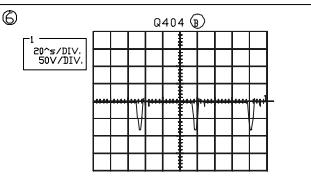
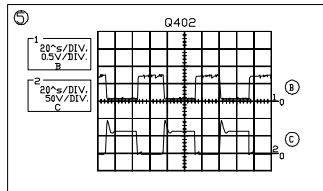
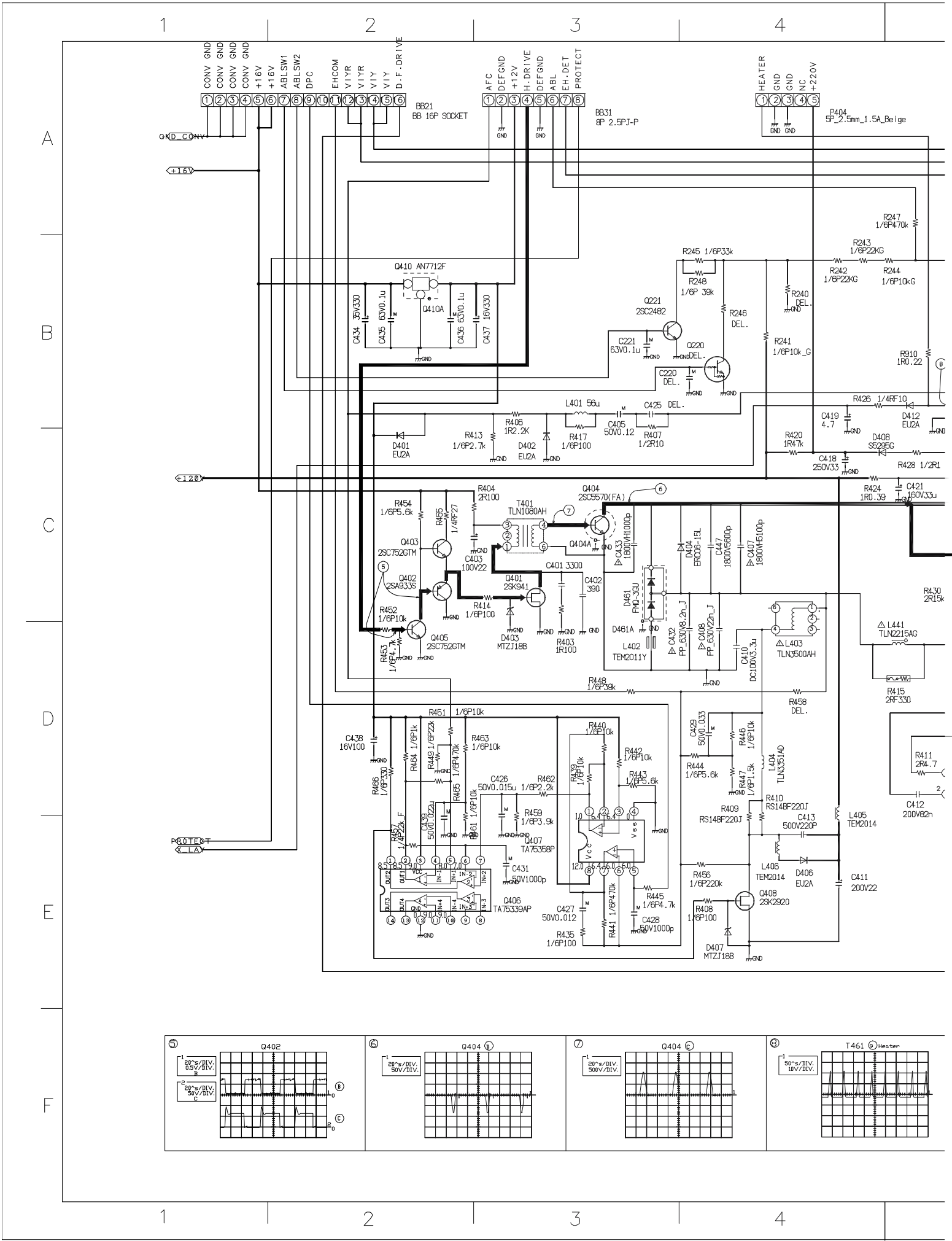
6

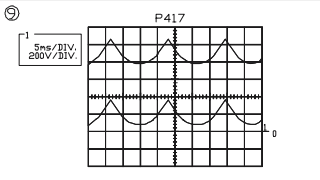
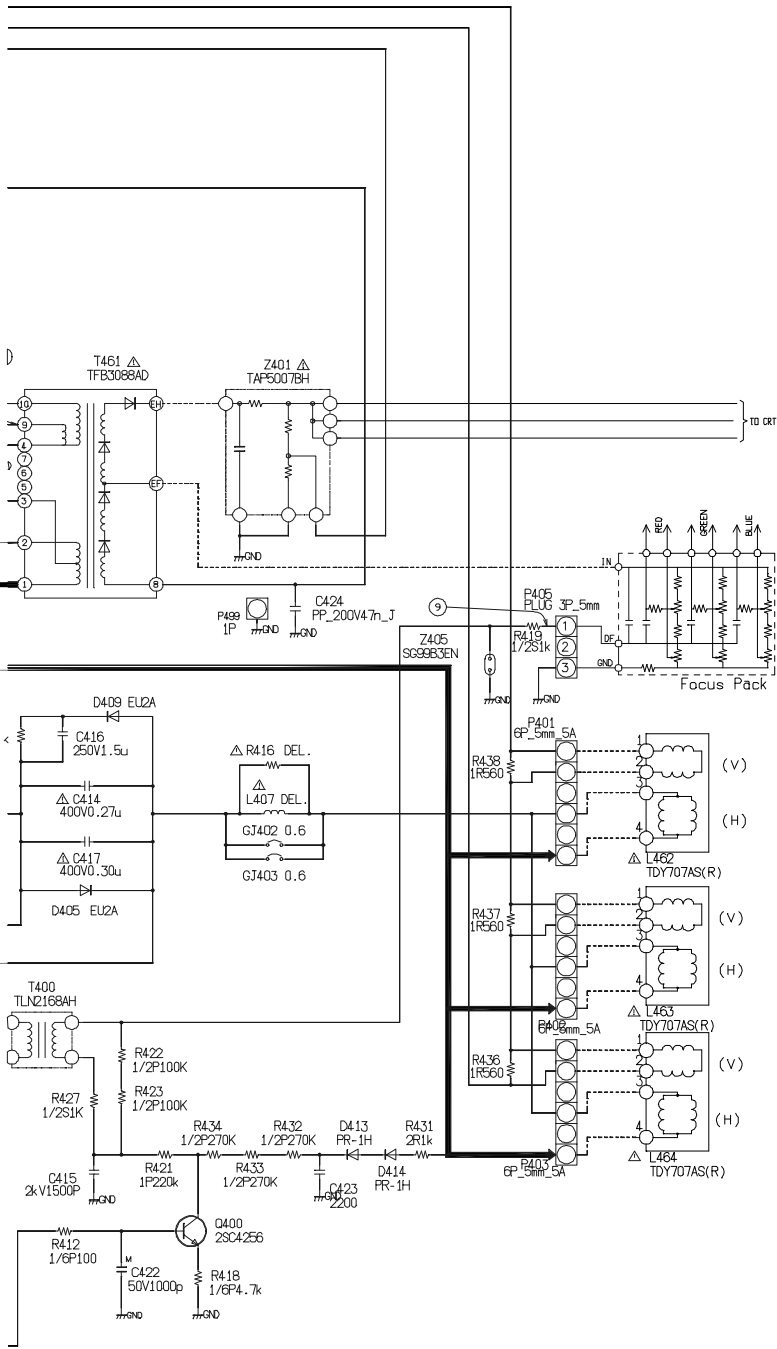
7

8



POWER/DEF(Deflection)(2/2)
50H81series



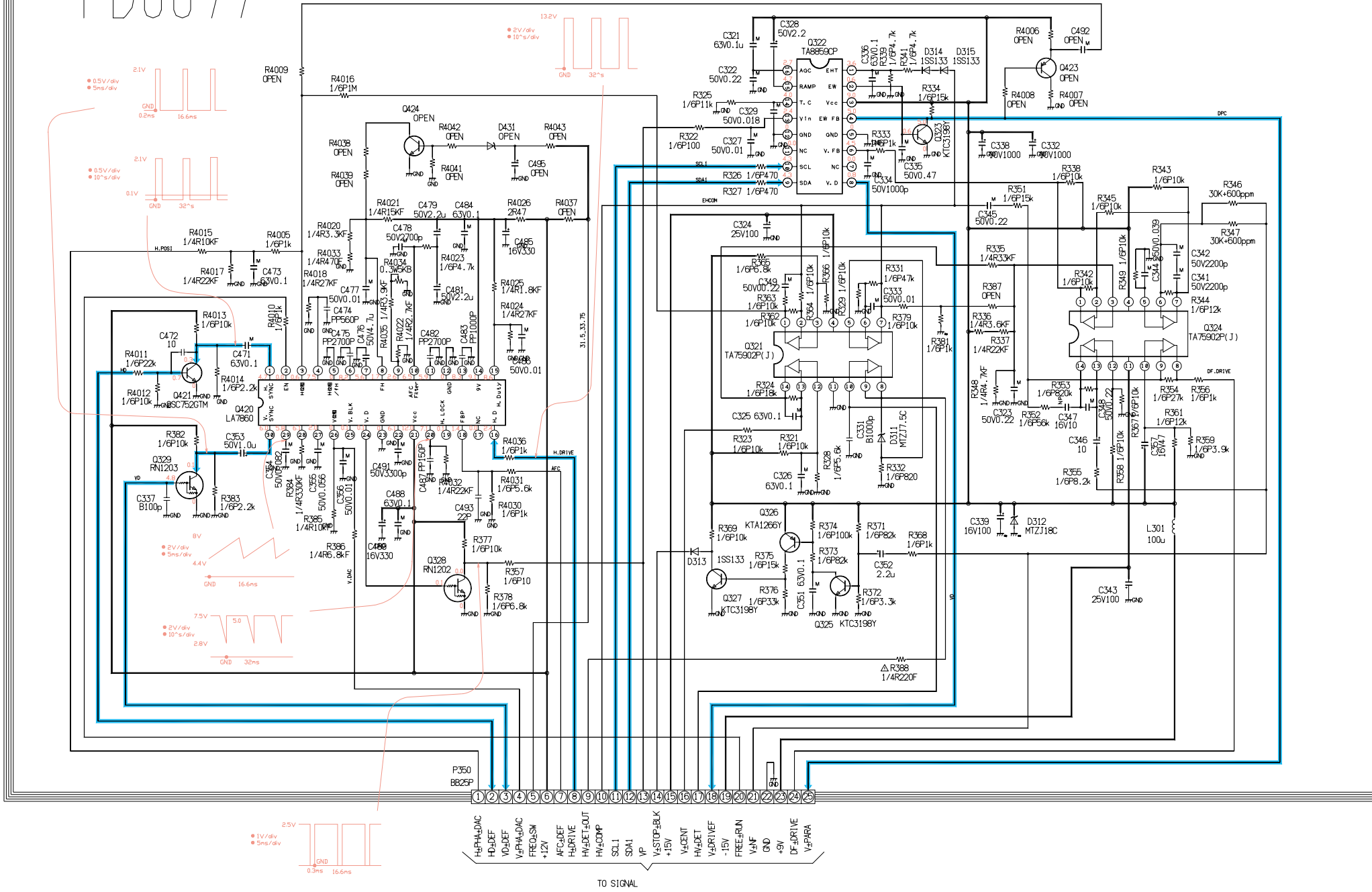


POWER/DEF(Deflection)(2/2)
50H81series

1 2 3 4 5 6 7 8

A
B
C
D
E
F

DPC
PD0077



DPC
50H81 serie

1 2 3 4 5 6 7 8

A

B

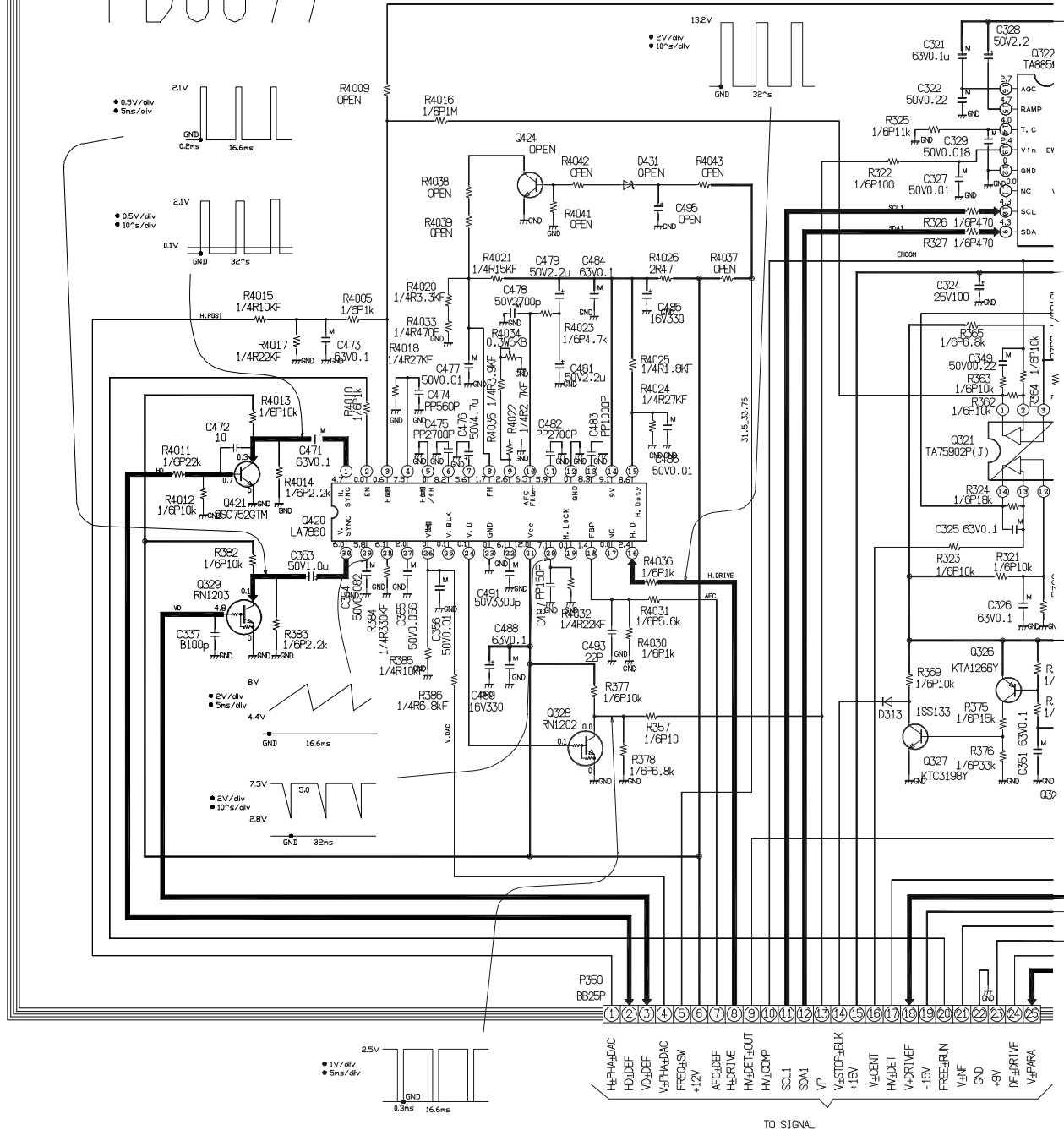
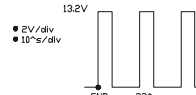
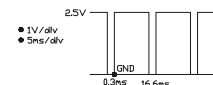
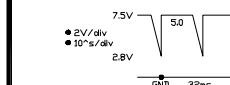
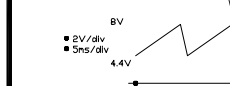
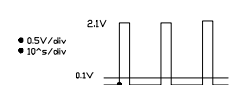
C

D

E

F

DPC PD0077



TO SIGNAL

5

6

7

8

A

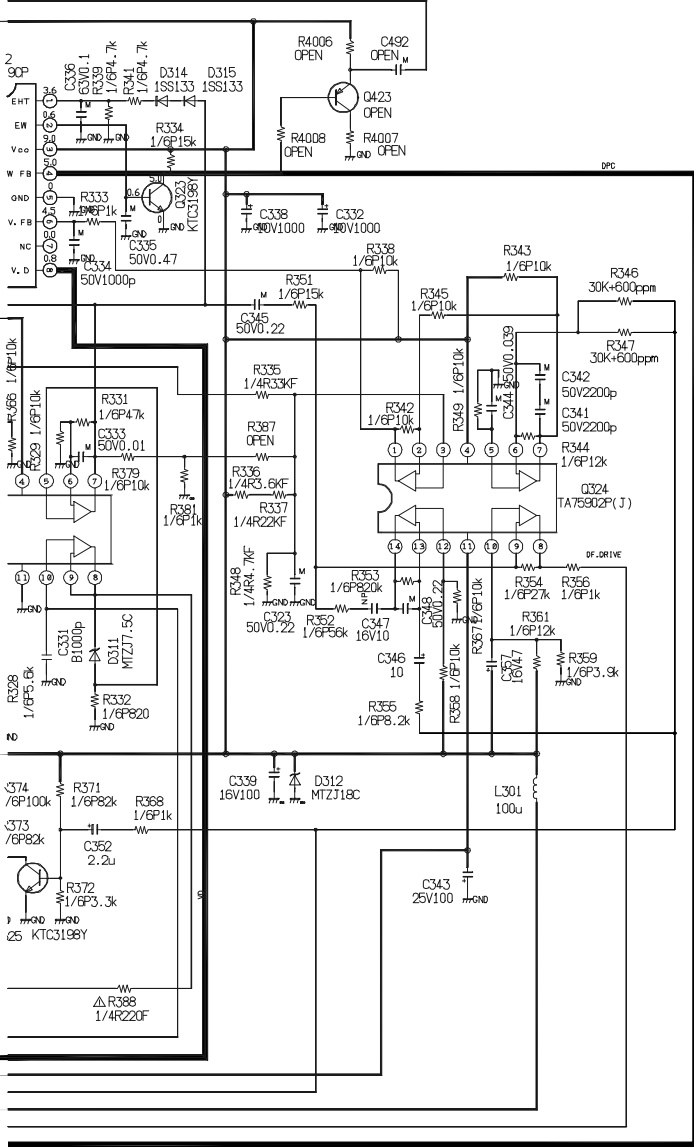
B

C

D

E

F



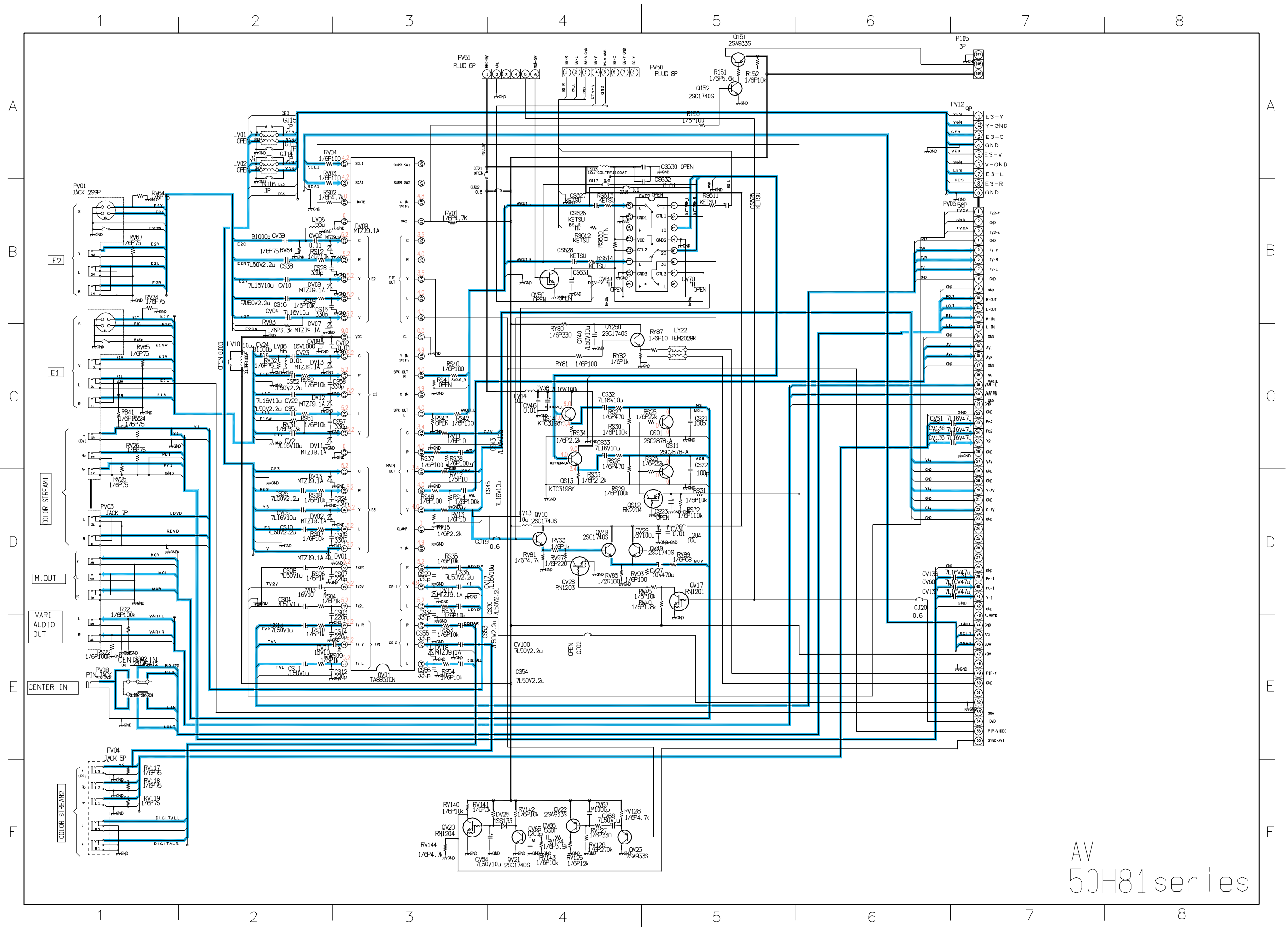
DPC
50H81 series

5

6

7

8



AV
50H81 series

1

2

3

4

A

B

C

D

E

F

E2

E1

COLOR STREAM1

M. OUT

VARI AUDIO OUT

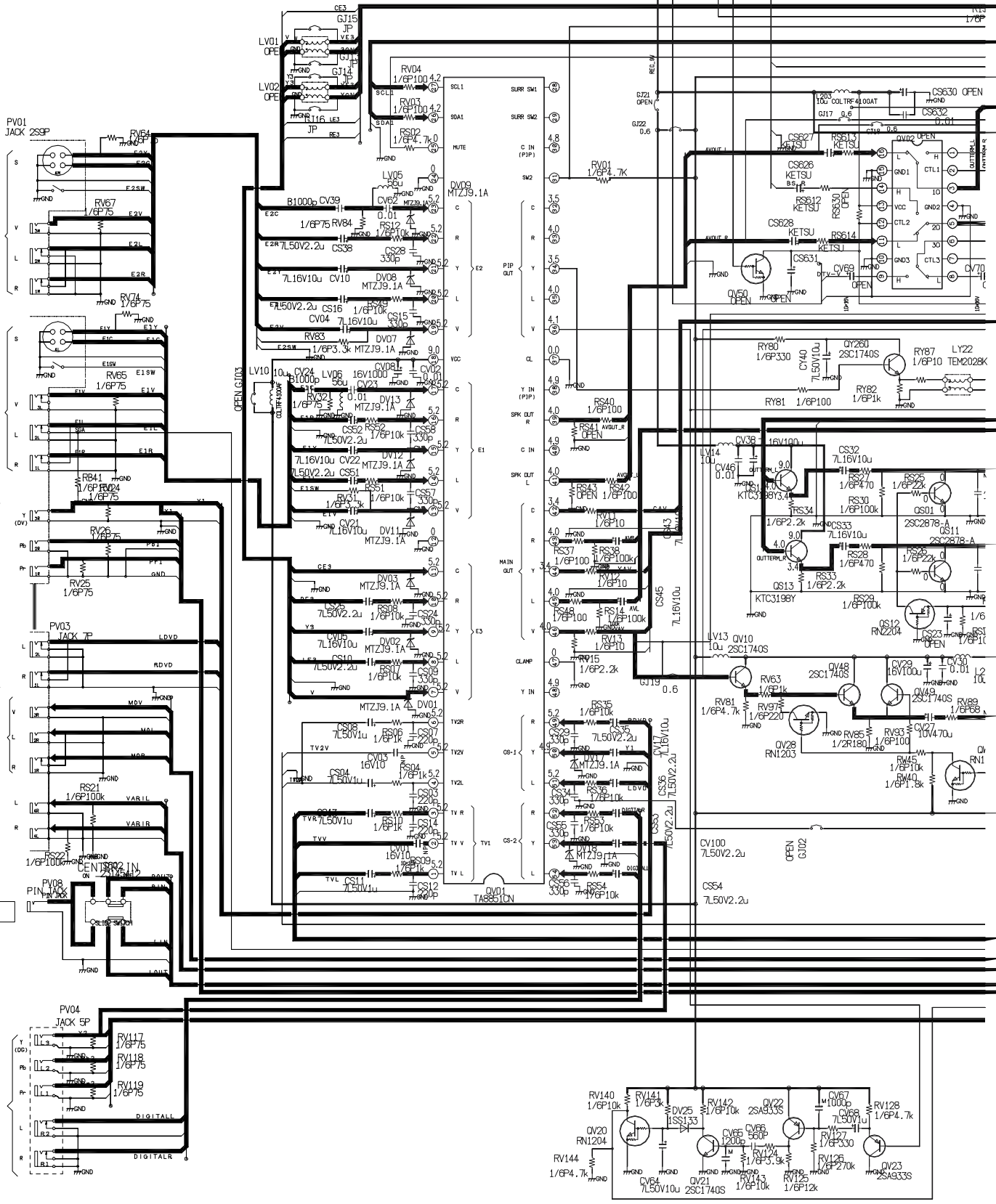
CENTER IN

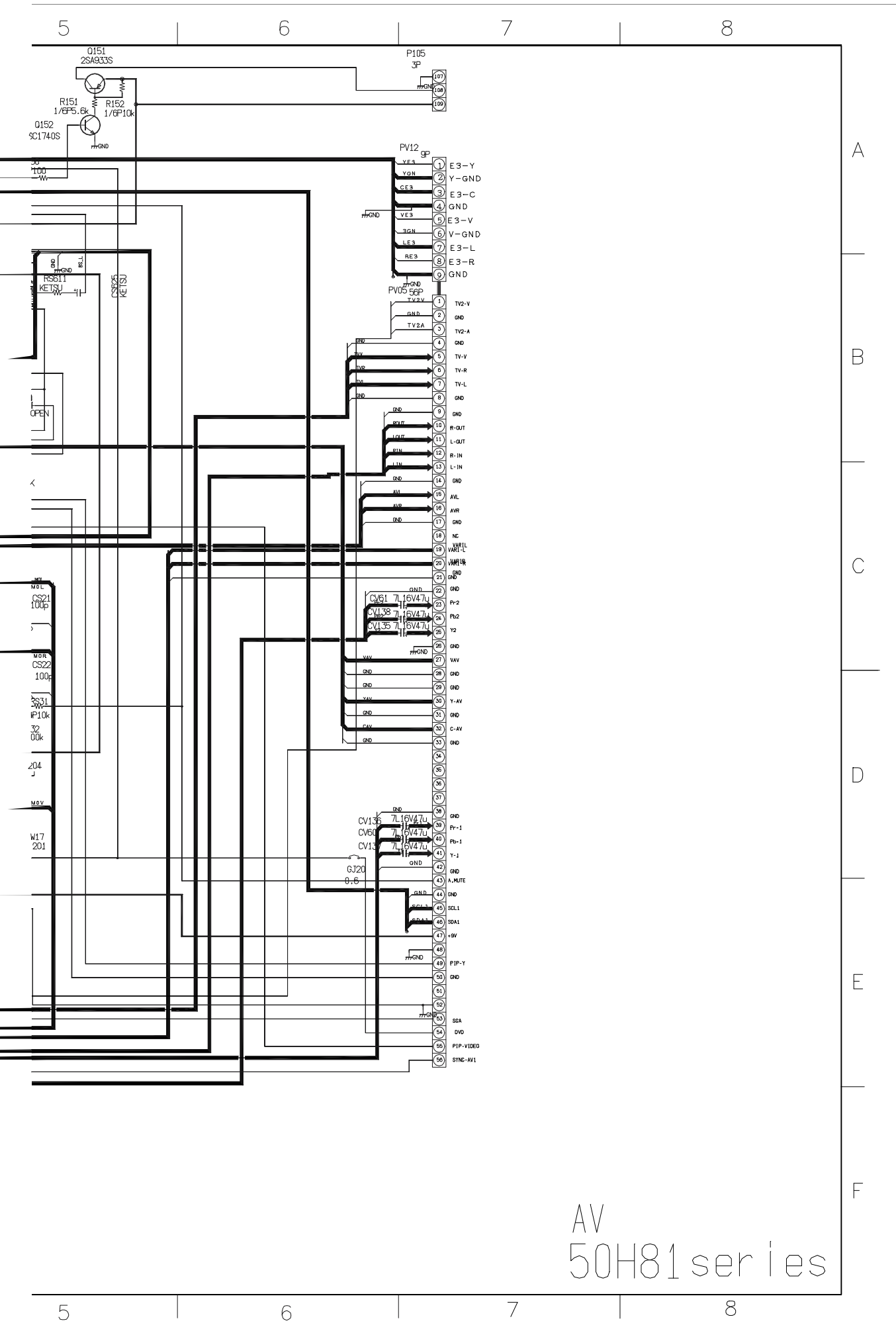
COLOR STREAM2

PV51 PLUG 6P

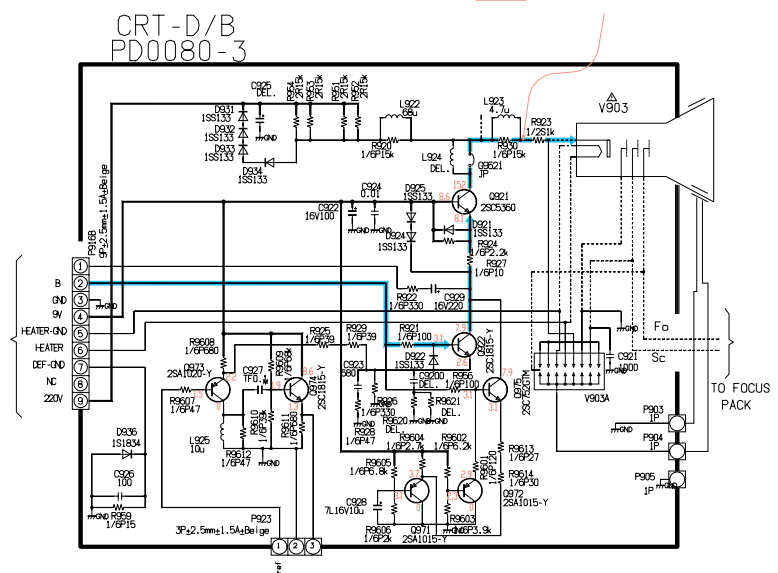
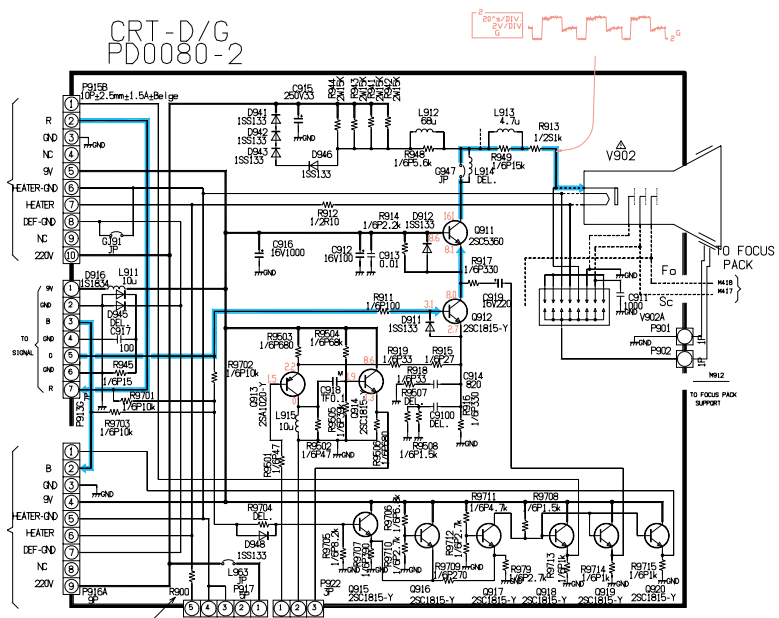
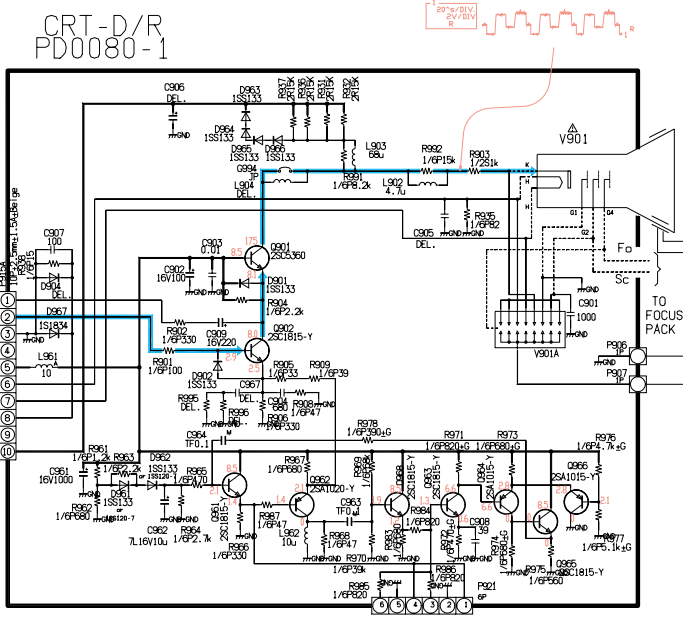
PV50 PLUG 8P

2S

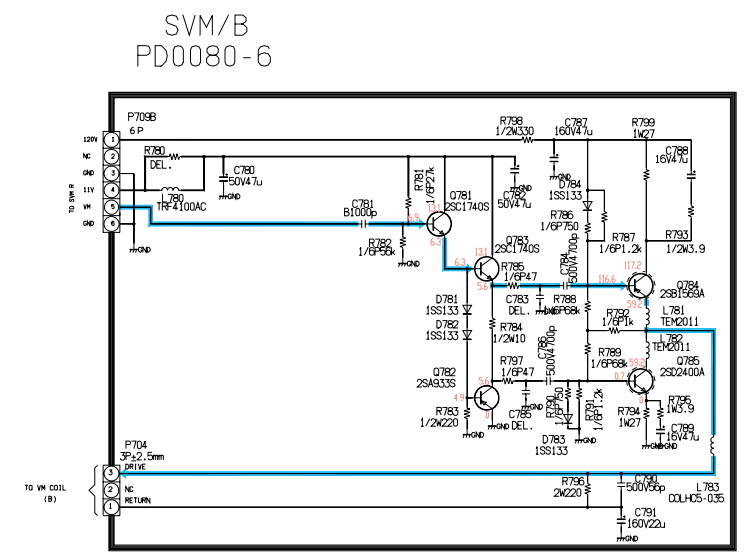
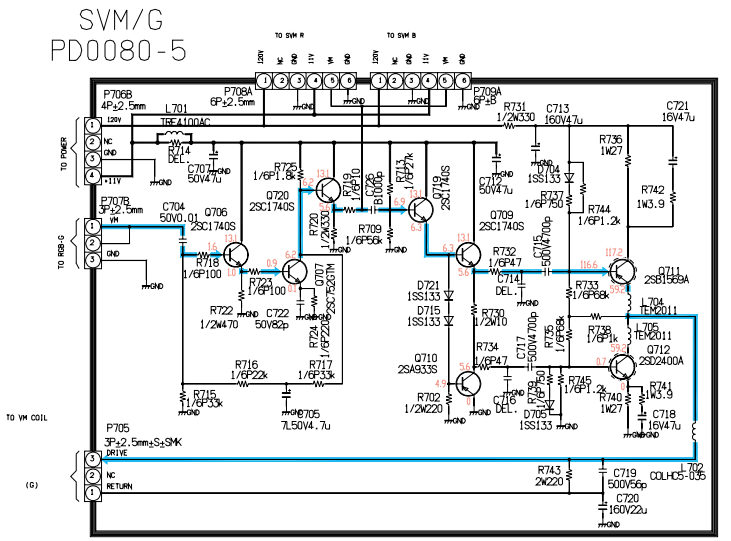
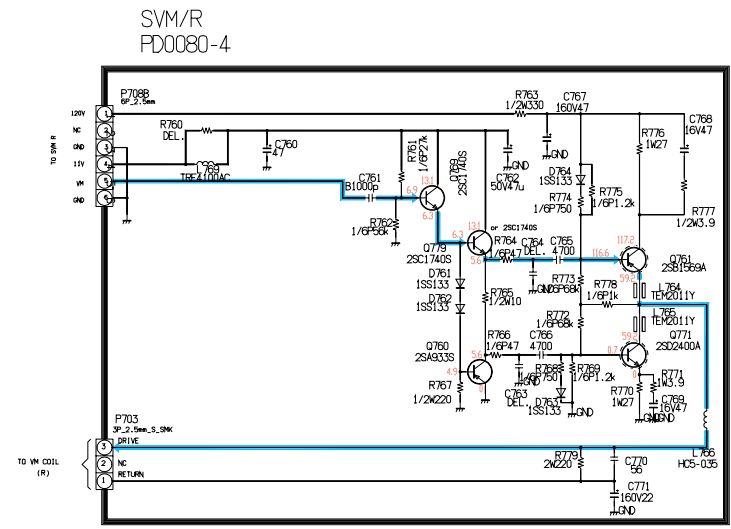




AV
50H81 series



FUSE 2x2.2	FUSE 2x1.8
6F4-81	6F4-81
5Y4-81	5Y4-81
50H-81	50H-81
4Z4-81	5.3-471
61H-71	4.3-471
53H-71	
50H-71	
4.3-71	



CRT/SVM
50H81 series

A

B

C

D

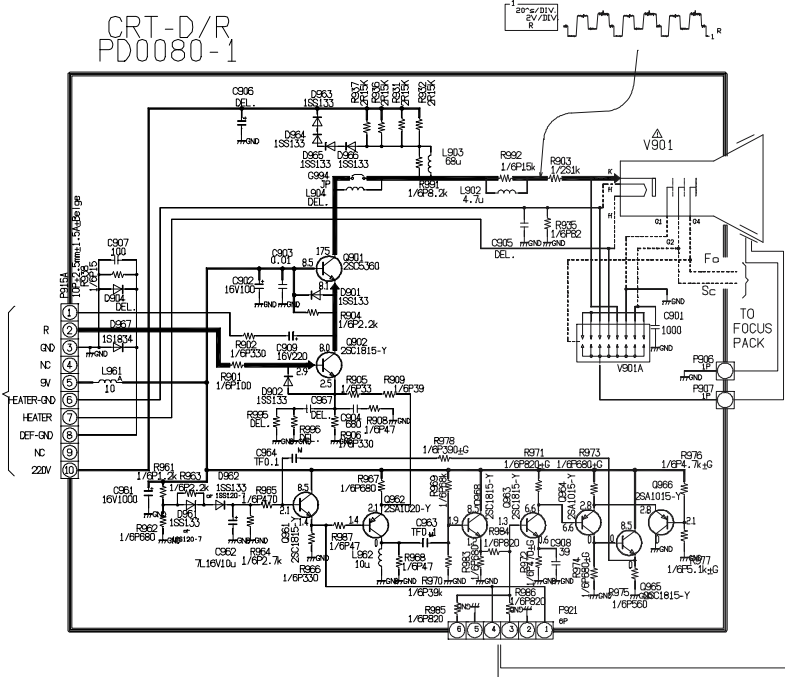
E

F

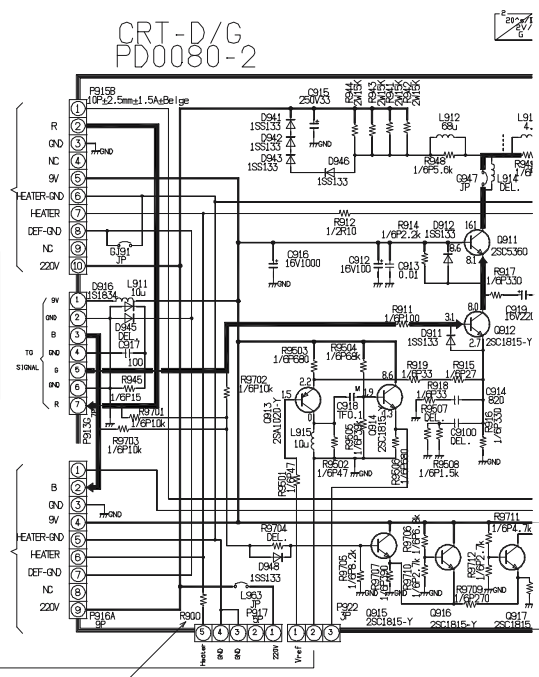
G

H

CRT-D/R
PD0080-1

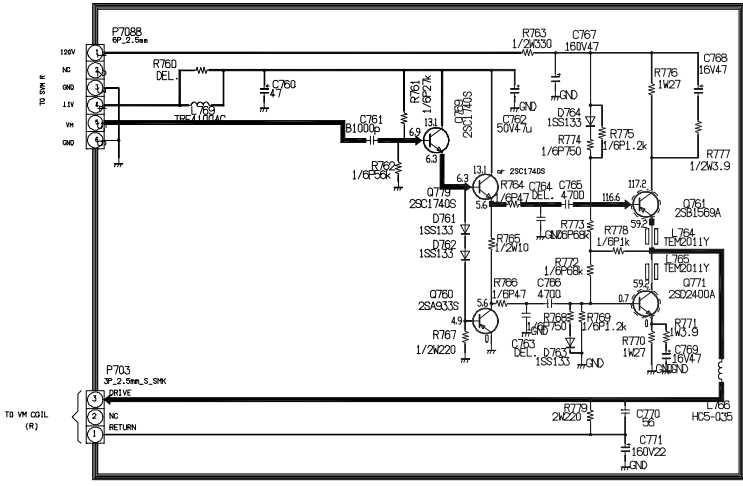


CRT-D/G
PD0080-2

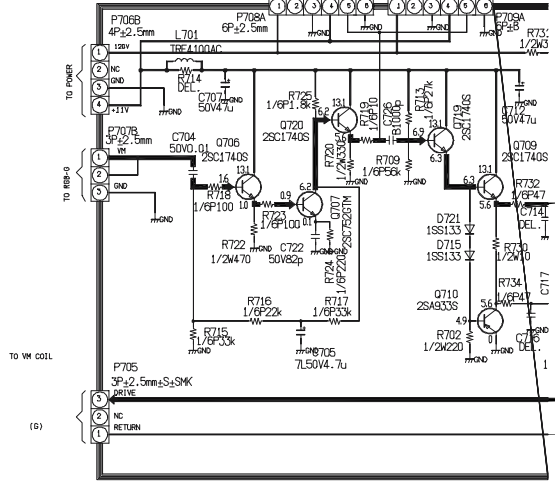


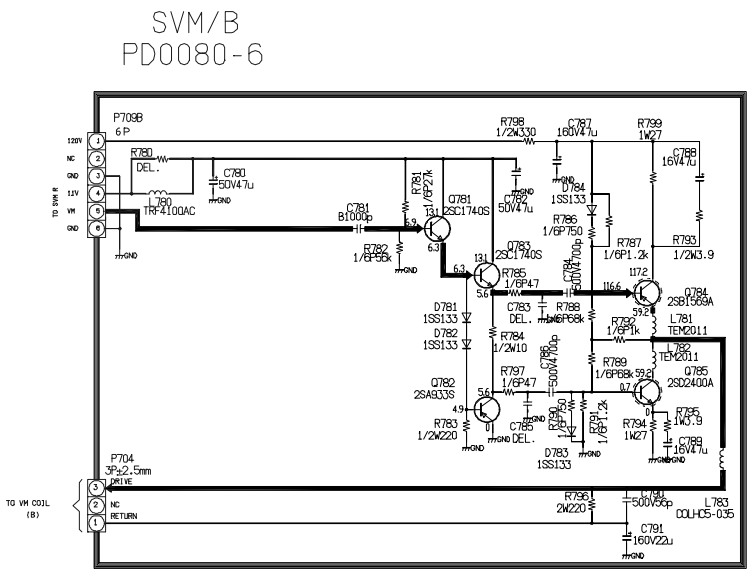
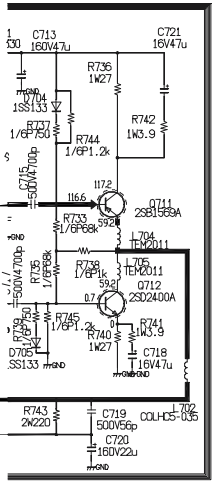
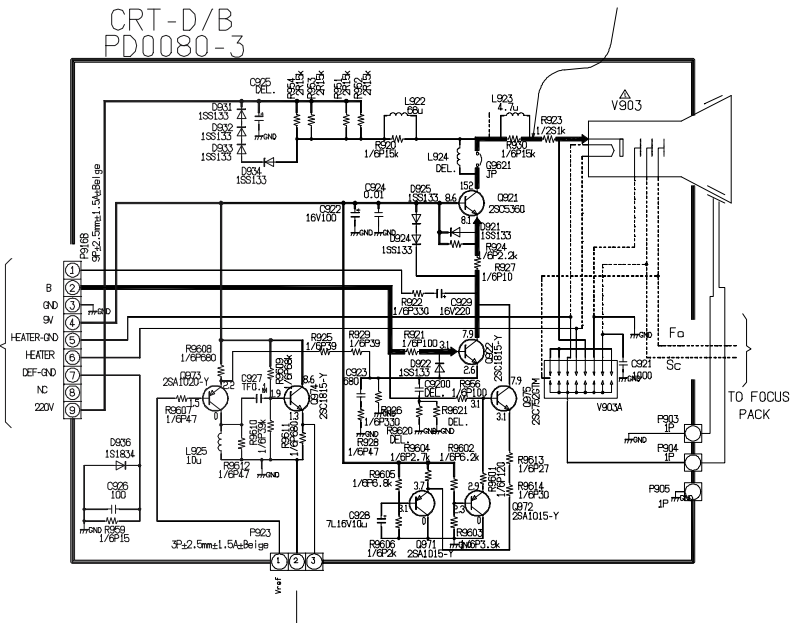
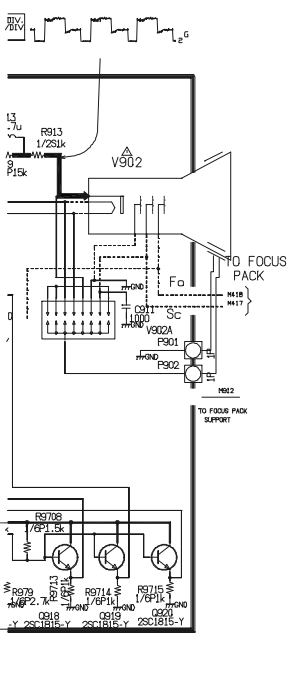
FUSE 2M2.2	FUSE 2W1.8
65HX81	65HX81
57HX81	57HX81
50HX81	50HX81
42HX81	53HX71
61HX71	43HX71
53HX71	
50HX71	
43HX71	

SVM/R
PD0080-4



SVM/G
PD0080-5





CRT/SVM
50H81 series

1 2 3 4 5 6 7 8

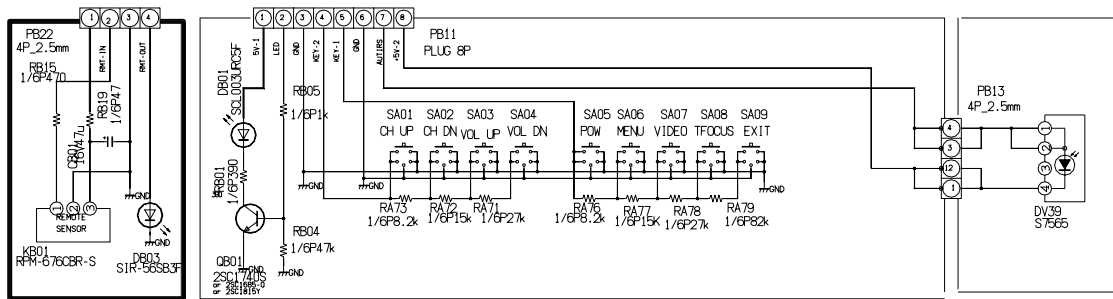
A

B

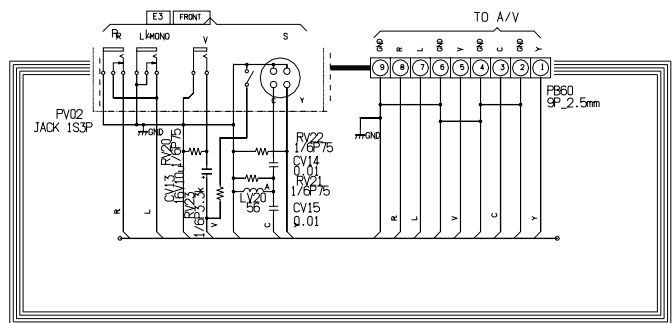
E043Z
REMOTE

E041Z
FRONT-CONTROL

E044Z
ALS
(Ambient Light Sensor)



C

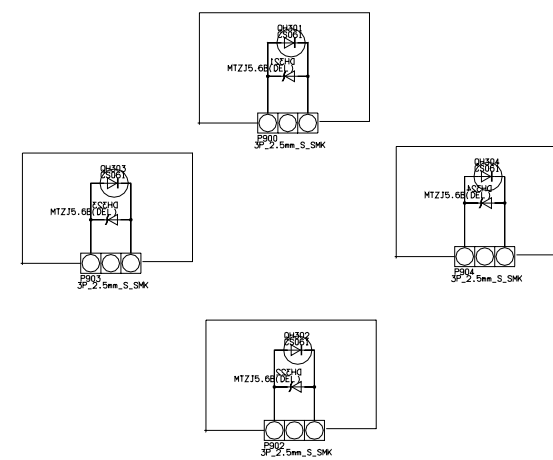


E042Z
FRONT - IN

D

MODEL	50H71	43H71	42H81	50HX81
		43HX71	50H81	57HX81
		53H71	57H81	65HX81
		53HX71	65H81	
PCB NAME		61H71		
FRONT-CONTROL	Use	Use	Use	Use
FRONT-IN	Use	Use	Use	Use
REMOTE	Use	Use	Use	Use
ALS	No use	No use	Use	Use

E



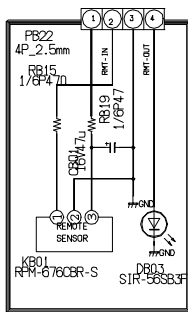
No use 50H71

F

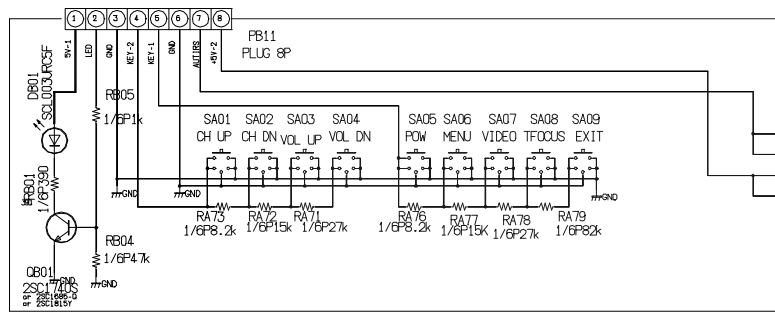
FRONT
ALS-SENSOR
50H81 series

1 2 3 4 5 6 7 8

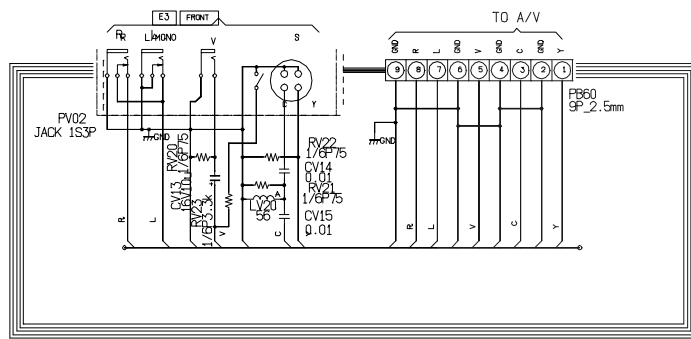
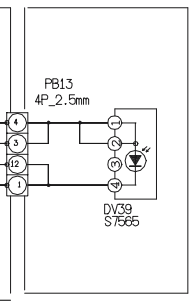
E043Z
REMOTE



E041Z
FRONT-CONTROL



E044Z
ALS
(Ambient Light S



E042Z
FRONT - IN

MODEL	50H71	43H71 43HX71 53H71 53HX71 61H71
PCB NAME		
FRONT-CONTROL	Use	Use
FRONT - IN	Use	Use
REMOTE	Use	Use
ALS	No use	No use

5

6

7

8

A

B

C

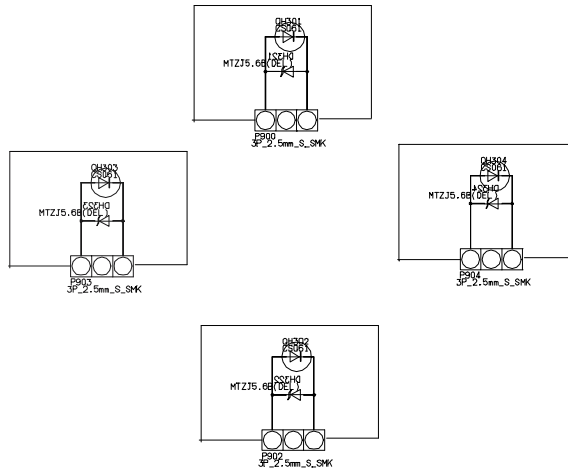
D

E

F

Sensor)

1	42H81	50HX81
	50H81	57HX81
	57H81	65HX81
1	65H81	
	Use	Use
	Use	Use
	Use	Use
?	Use	Use



No use 50H71

FRONT
ALS-SENSOR
50H81 serie

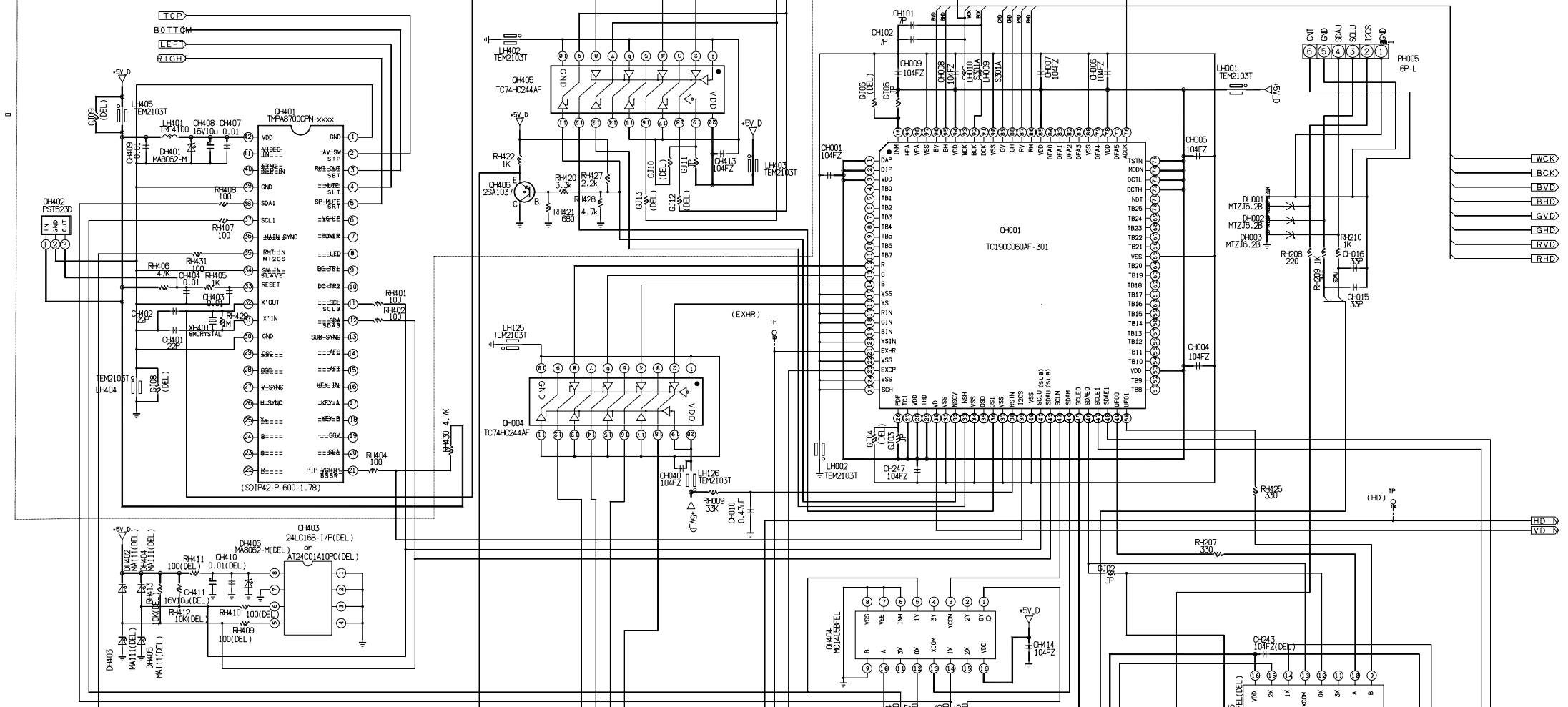
5

6

7

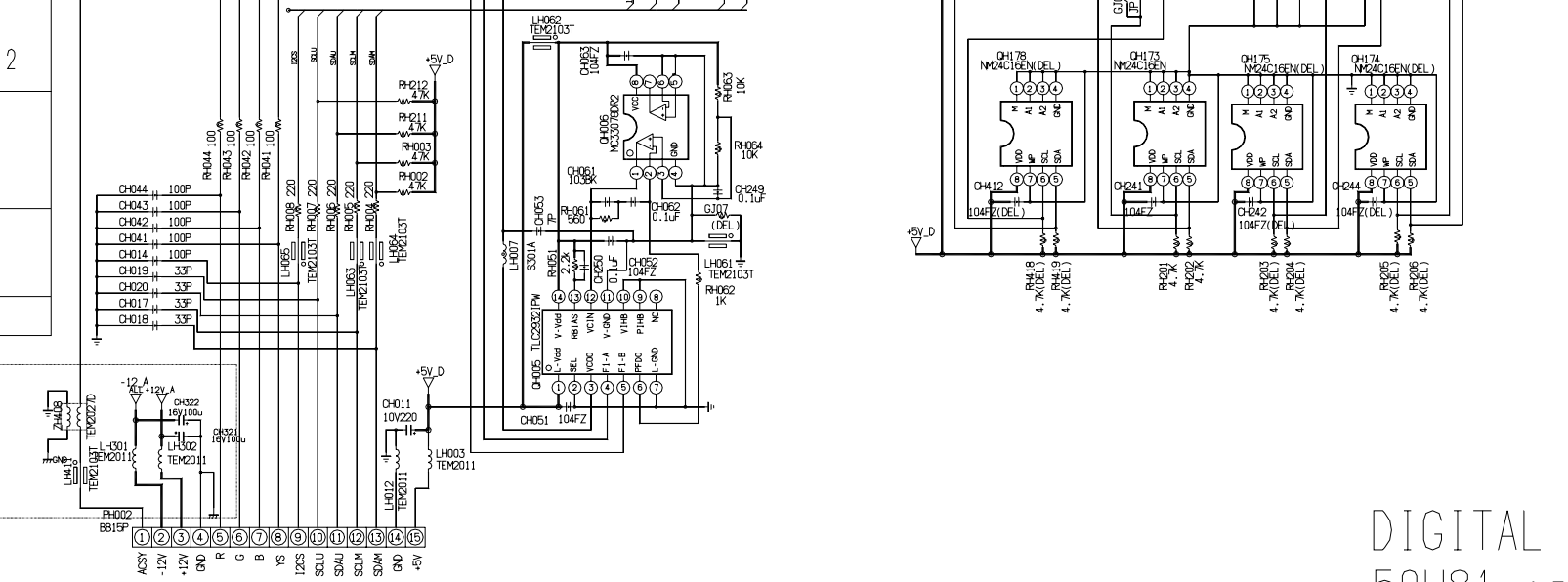
8

AREA 1



ITEM	CH173	CH174	CH244 RH205 RH206	AREA 1 & AREA 2
MODEL				
42H81/50H81 50H81/57H81 57H81/65H81 65H81	16k	No use	No use	Use
43H71/43H71 53H71/53H71 61H71	16k	16k	Use	Use
50H71	16k	No use	No use	No use

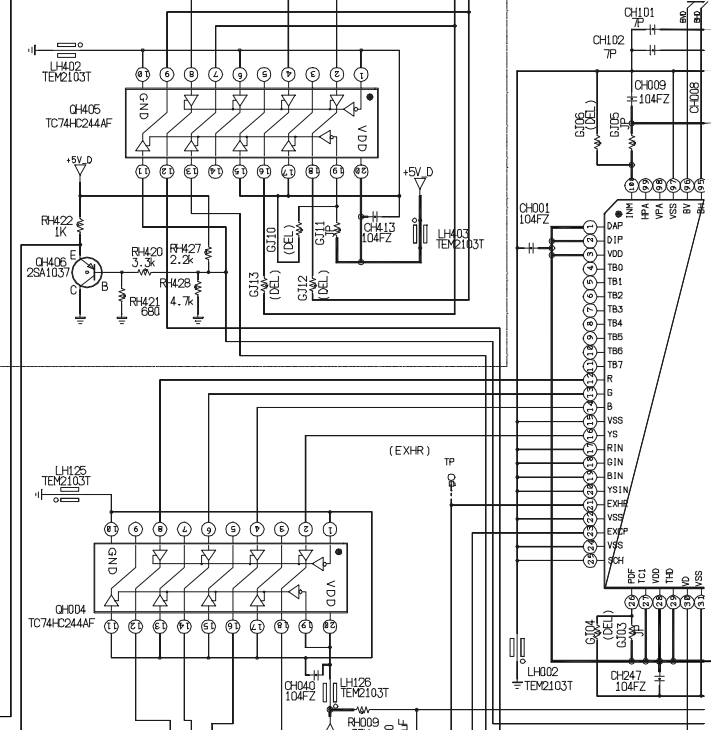
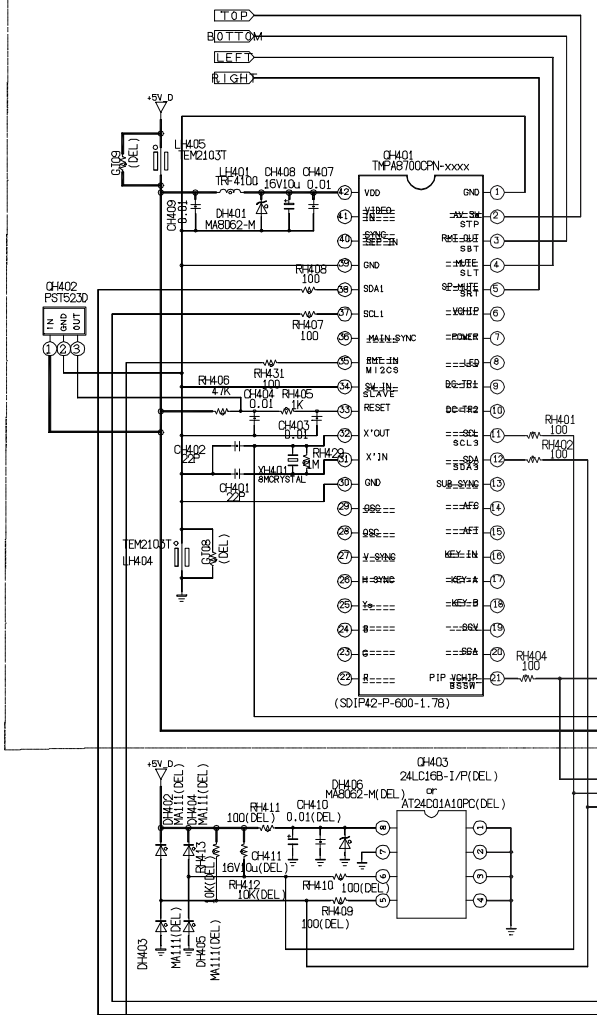
AREA 2



PD0073(SIGNAL/CONVER)

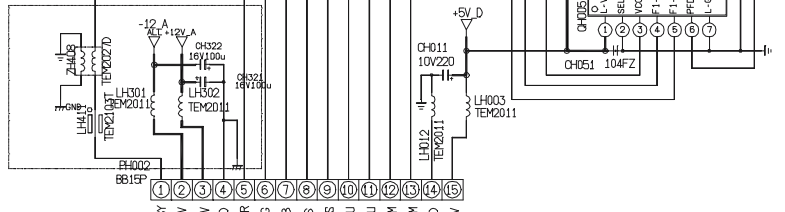
DIGITAL CONVER (1/2)
50H81 serise

AREA 1

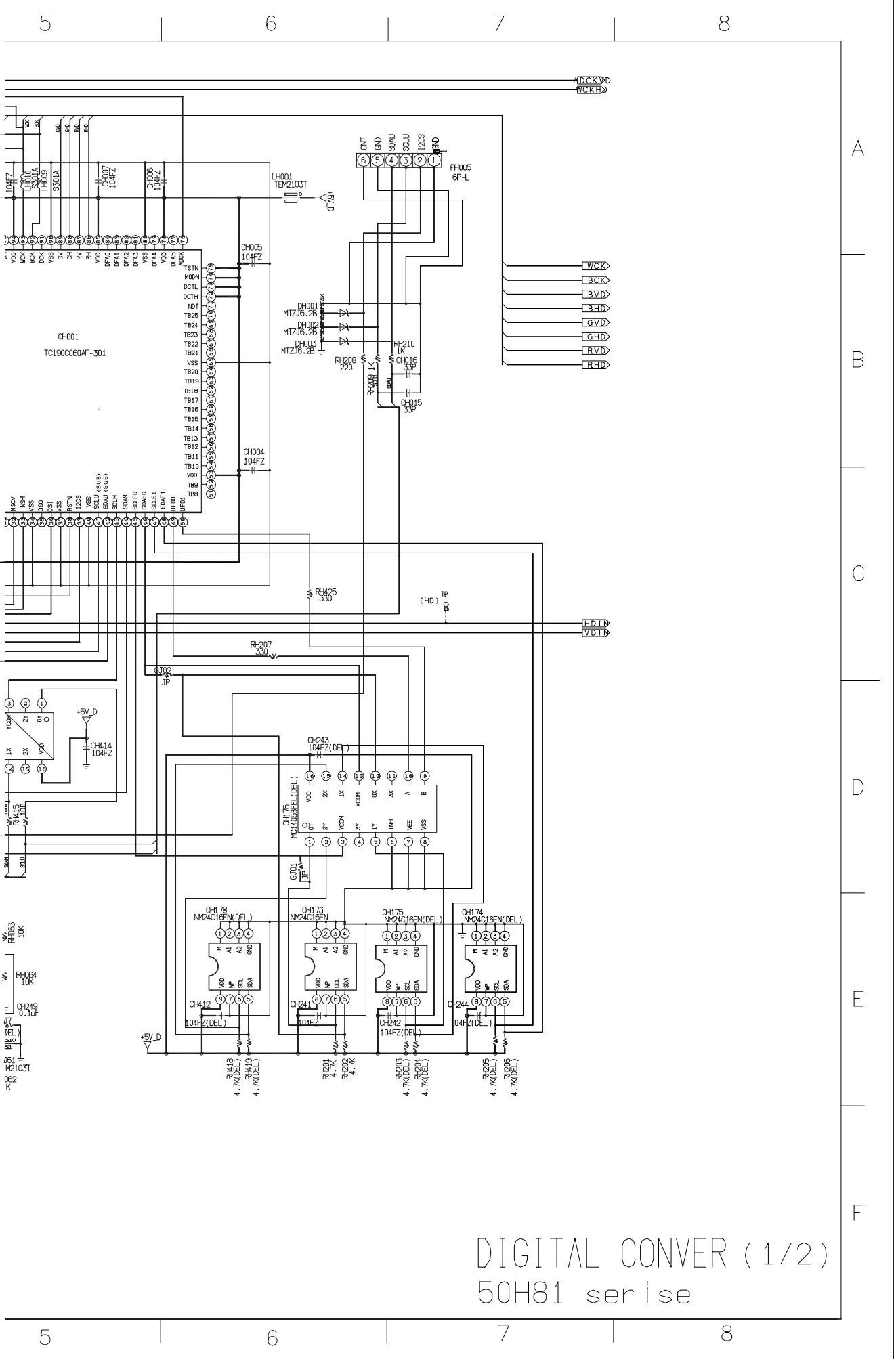


ITEM	CH173	CH174	CH244 RH205 RH206	AREA 1 & AREA 2
MODEL				
42H81/50H81 50HX81/57H81 57HX81/66H81 66HX81	16k	No use	No use	Use
43H71/43HX71 53H71/53HX71 61H71	16k	16k	Use	Use
50H71	16k	No use	No use	No use

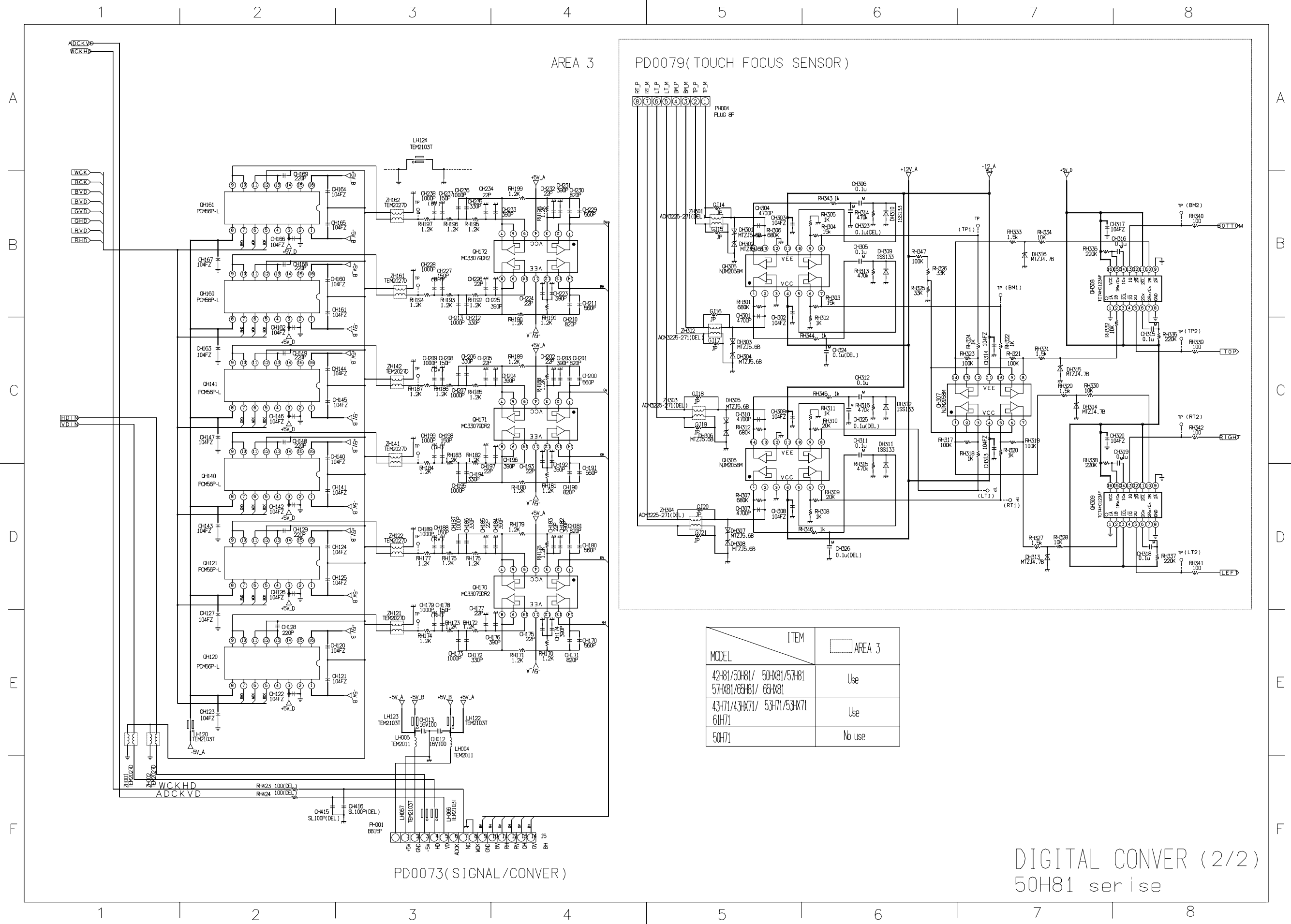
AREA 2



PD0073(SIGNAL/CONVER)



DIGITAL CONVER (1/2)
50H81 ser ise



MODEL	ITEM	AREA 3
42H81/50H81/ 50H81/57H81		Use
57H81/66H81/ 66H81		
43H71/43H71/ 53H71/53H71		Use
61H71		
50H71		No use

DIGITAL CONVER (2/2)
50H81 serie

AREA 3

PD0079(

A

B

C

D

E

F

ADCKVD
WCKHD

WCK
BCK
BVD
GVD
GHD
RVD
RHD

HDI
VDI

WCKHD
ADCKVD
RH423 100(DEL)
RH424 100(DEL)

CH415 SL100P(DEL)
CH416 SL100P(DEL)

RH001
BB15P

PD0073(SIGNAL/CONVER)

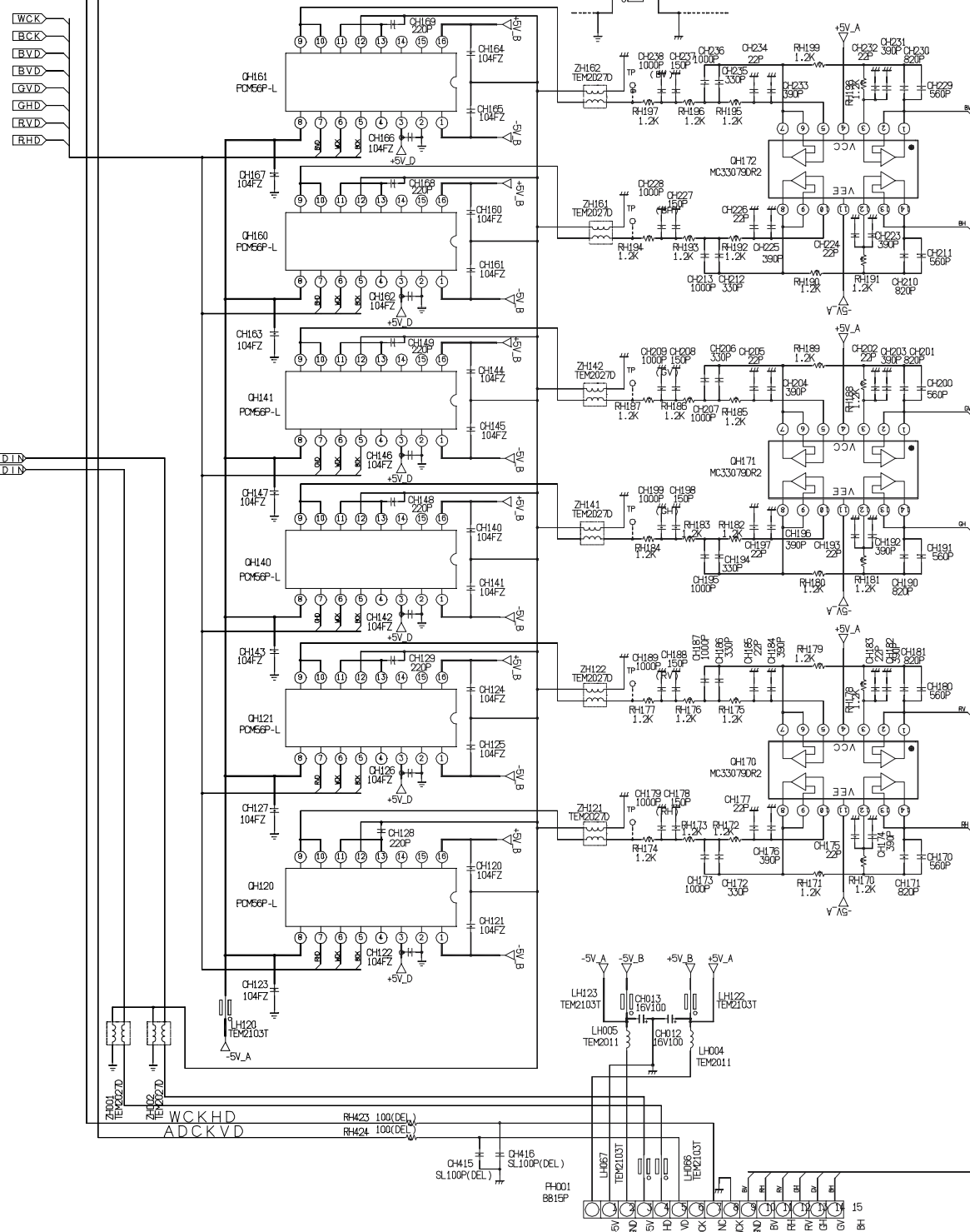
RF D
RF L
L L
L L
L L
L L
RF D
RF L
RF L

ADCK25-271

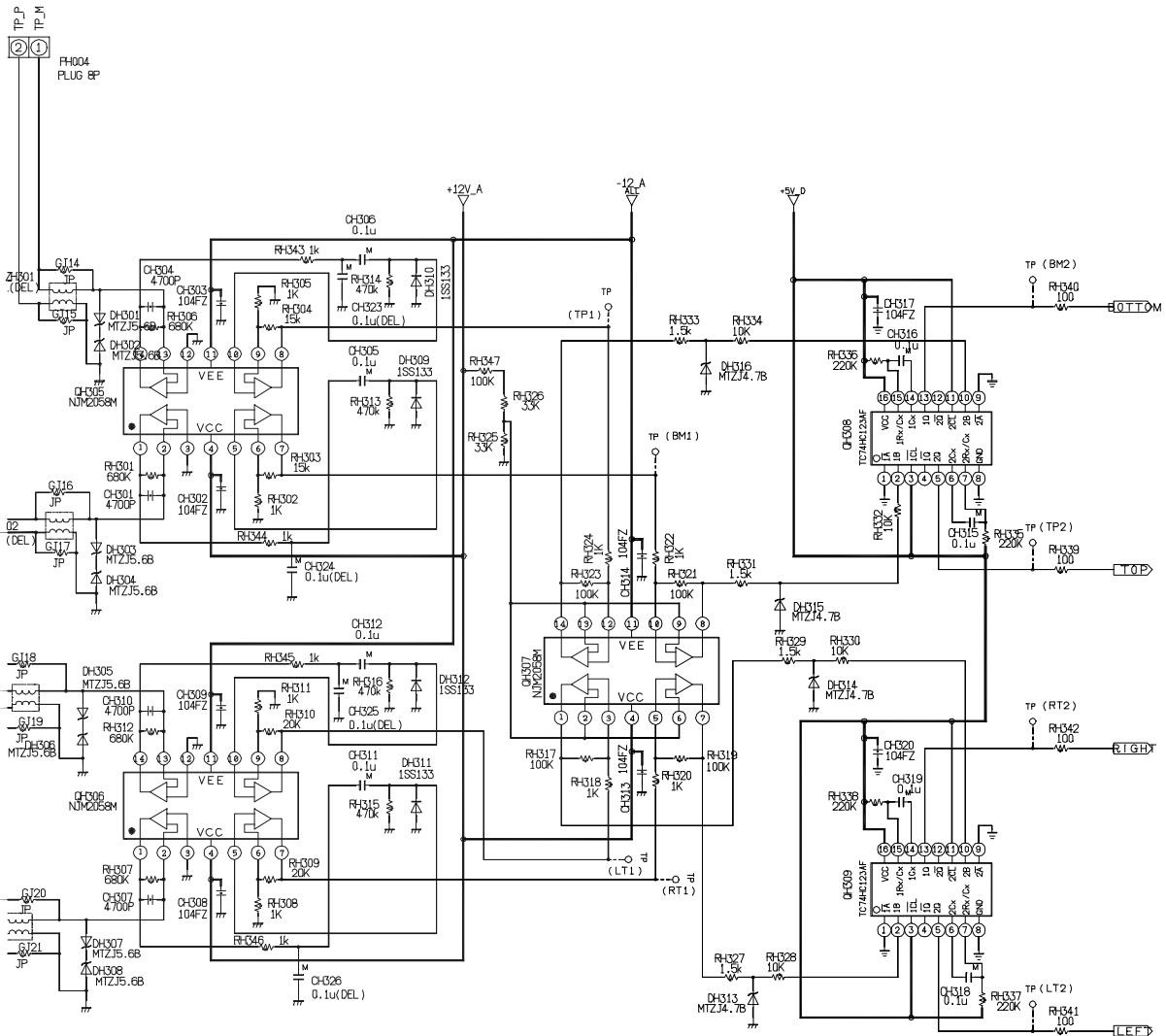
ADCK25-271(

ZH303
ADM325-271(DEL)

ZH304
ADM325-271(DEL)



TOUCH FOCUS SENSOR)



A

B

C

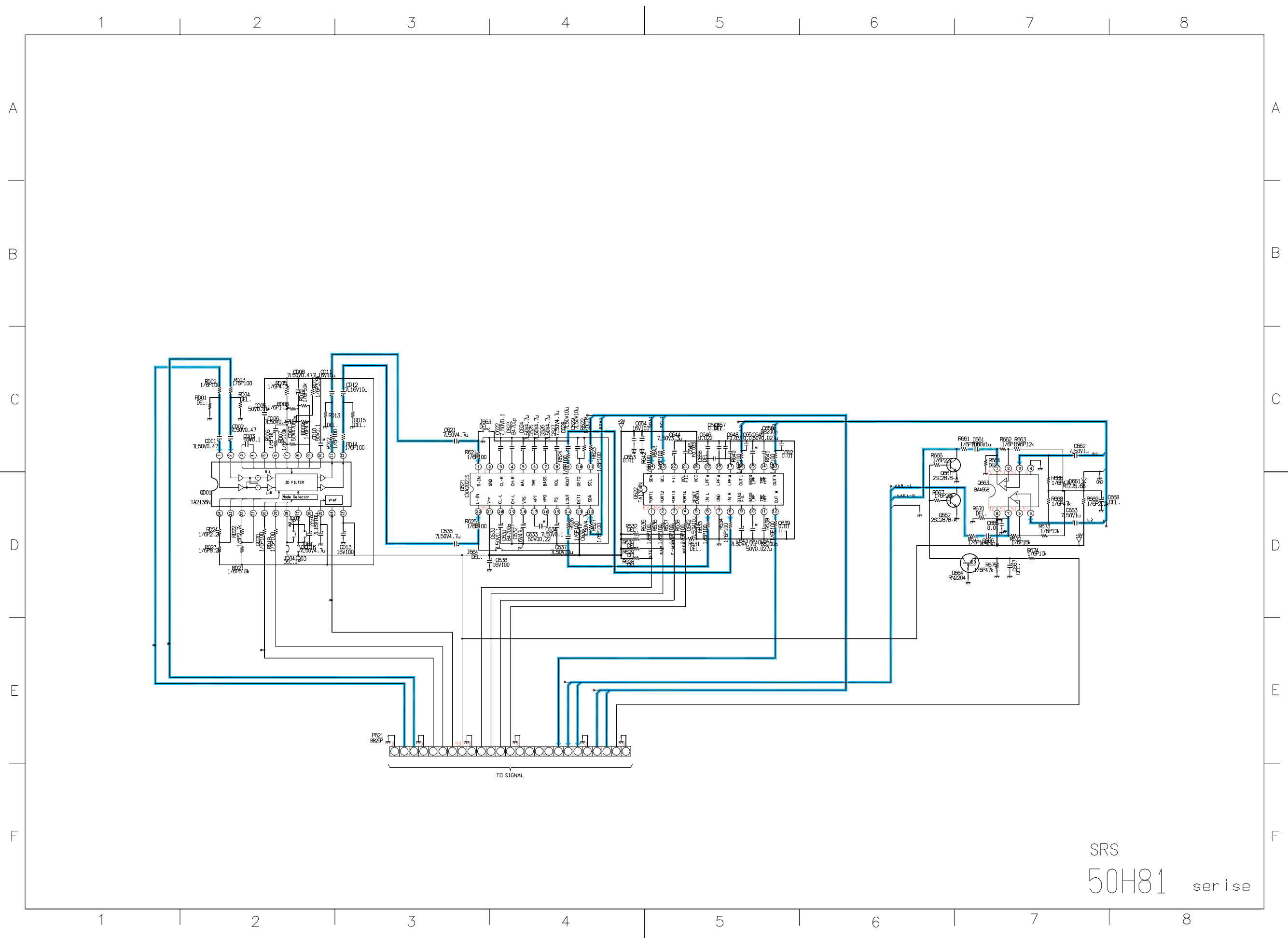
D

MODEL	ITEM	AREA 3
42H81/50H81/ 57H81/65H81/	50H81/57H81/ 65H81	Use
43H71/43HX71/ 61H71	53H71/53HX71/ 61H71	Use
50H71		No use

E

F

DIGITAL CONVERT (2/2)
50H81 serie



SRS
50H81 serie

1

2

3

4

A

B

C

D

E

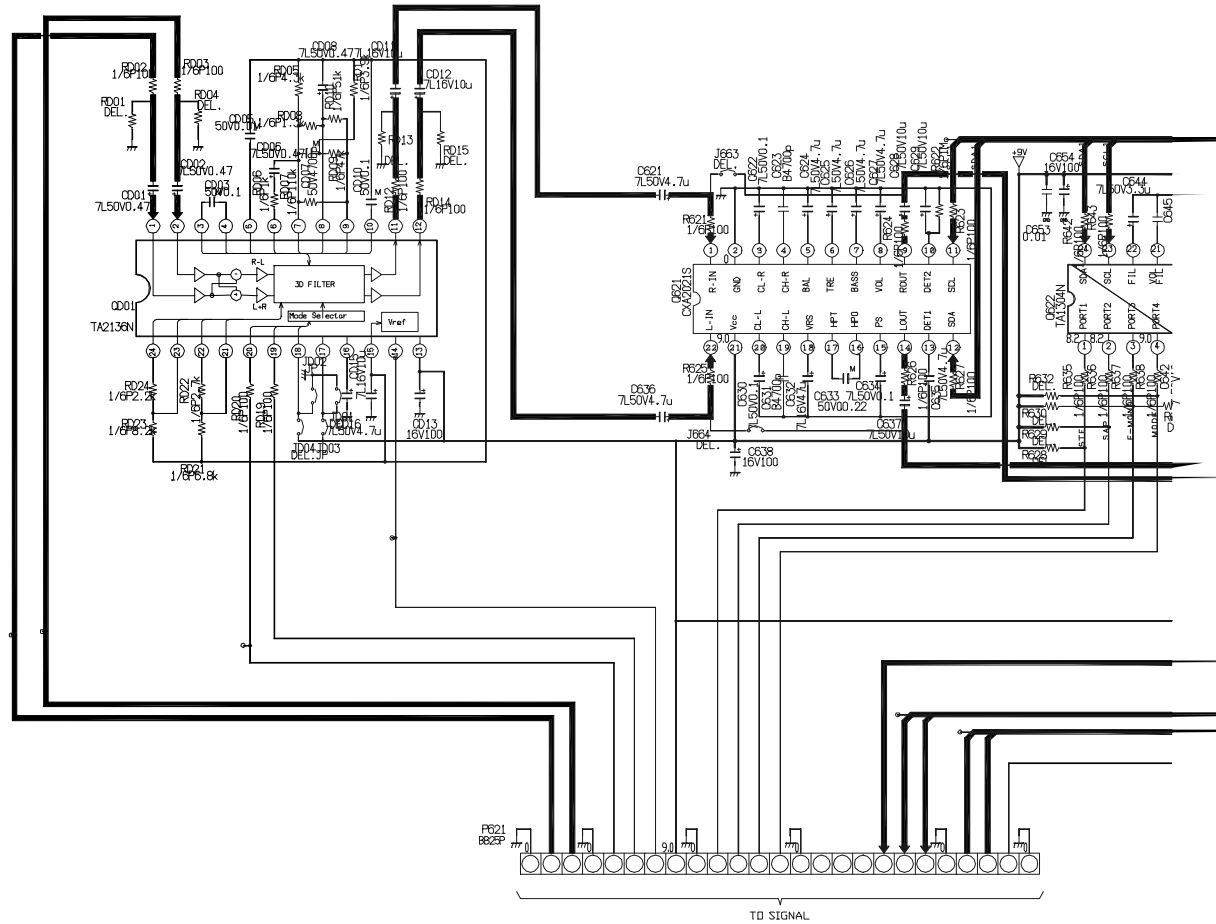
F

1

2

3

4



5

6

7

8

A

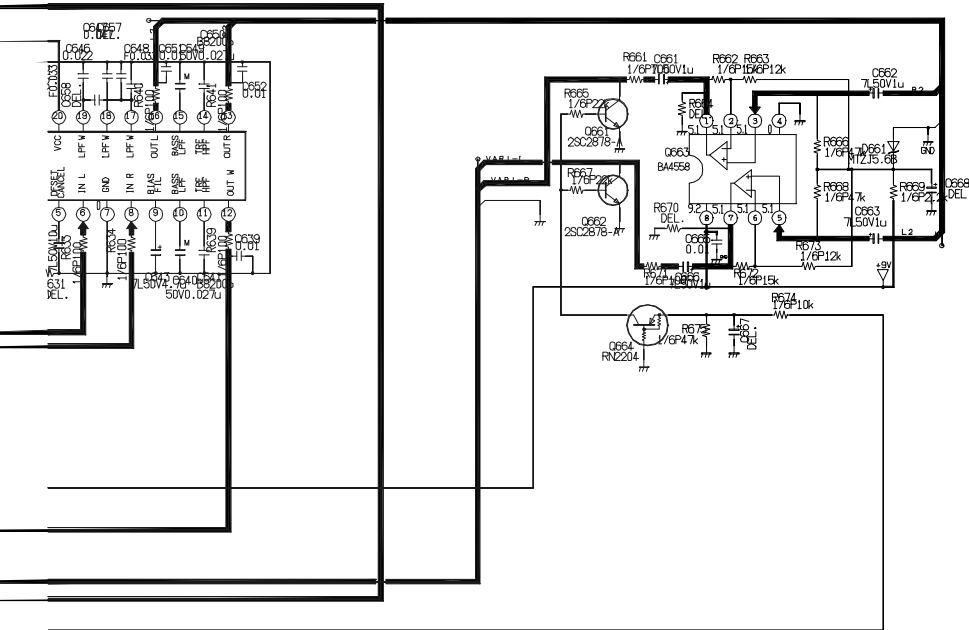
B

C

D

E

F



SRS
50H81 ser i se

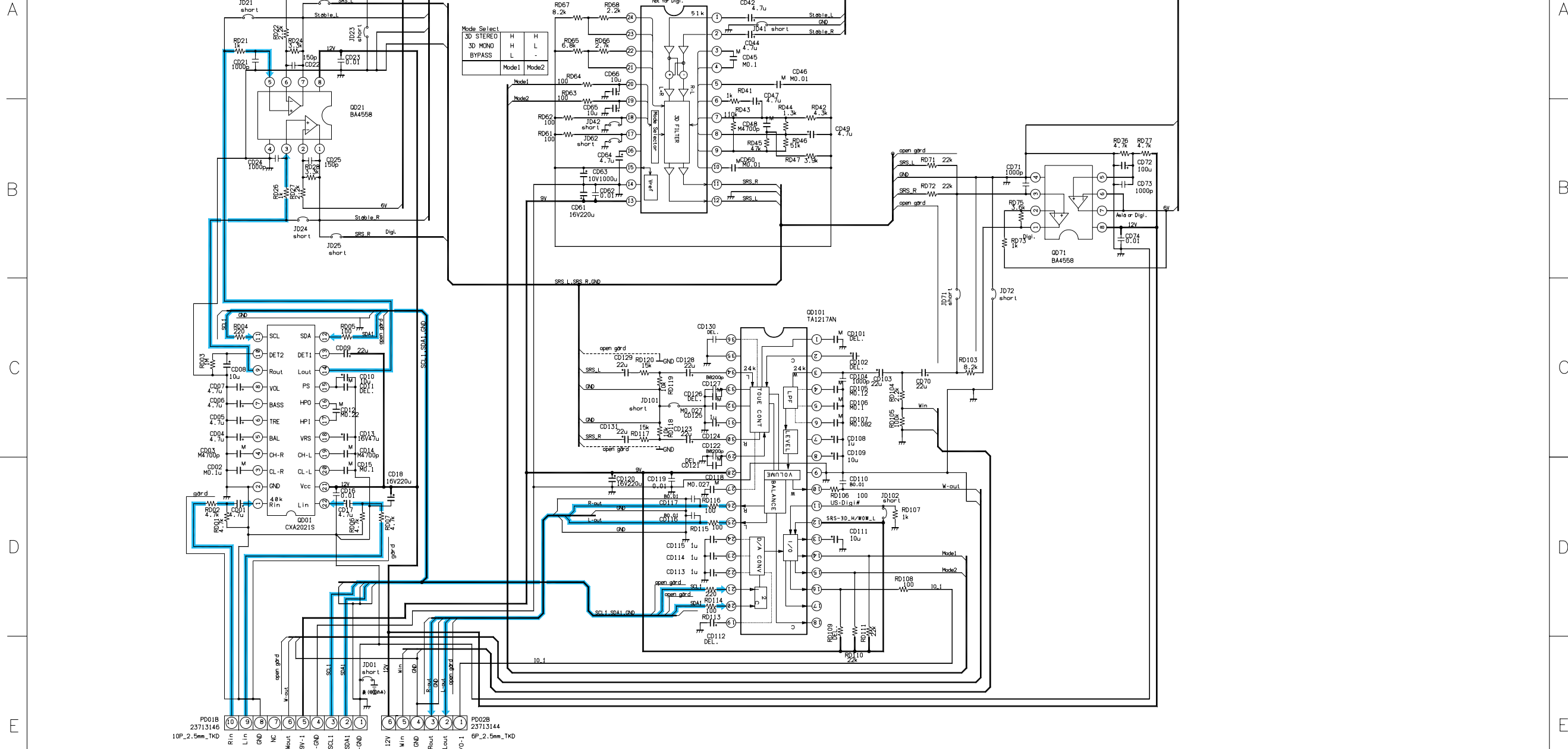
5

6

7

8

1 2 3 4 5 6 7 8



SRS3D_ALL
 A-Pro_ALL
 50H81

1 2 3 4 5 6 7 8

A

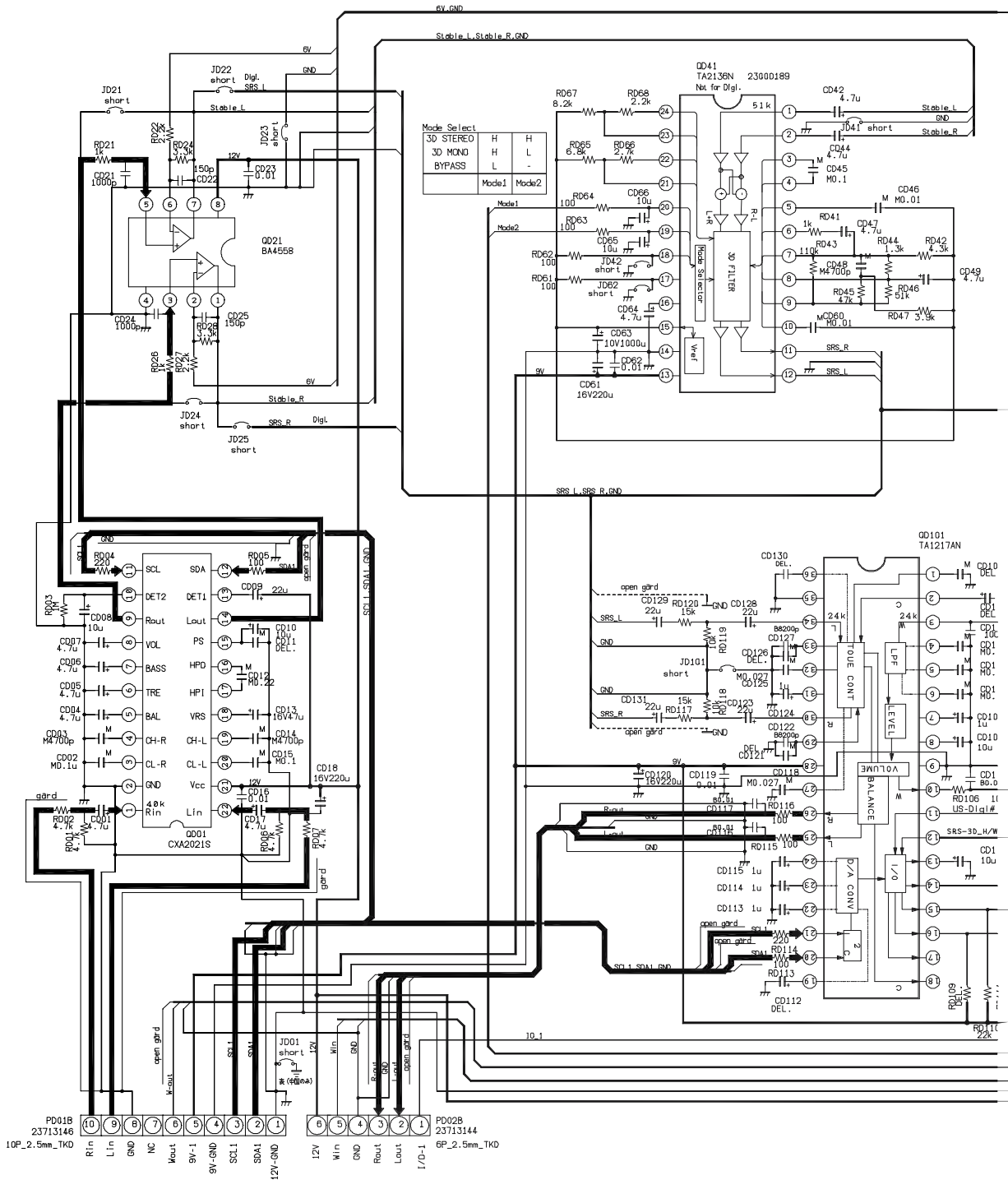
B

C

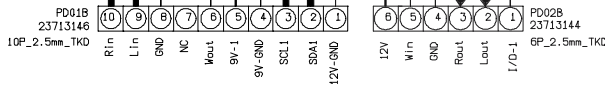
D

E

F



Mode Select		H	L
3D STEREO		H	L
3D MONO		H	L
BYPASS		L	-
	Mode1	Mode2	



5 6 7 8

A

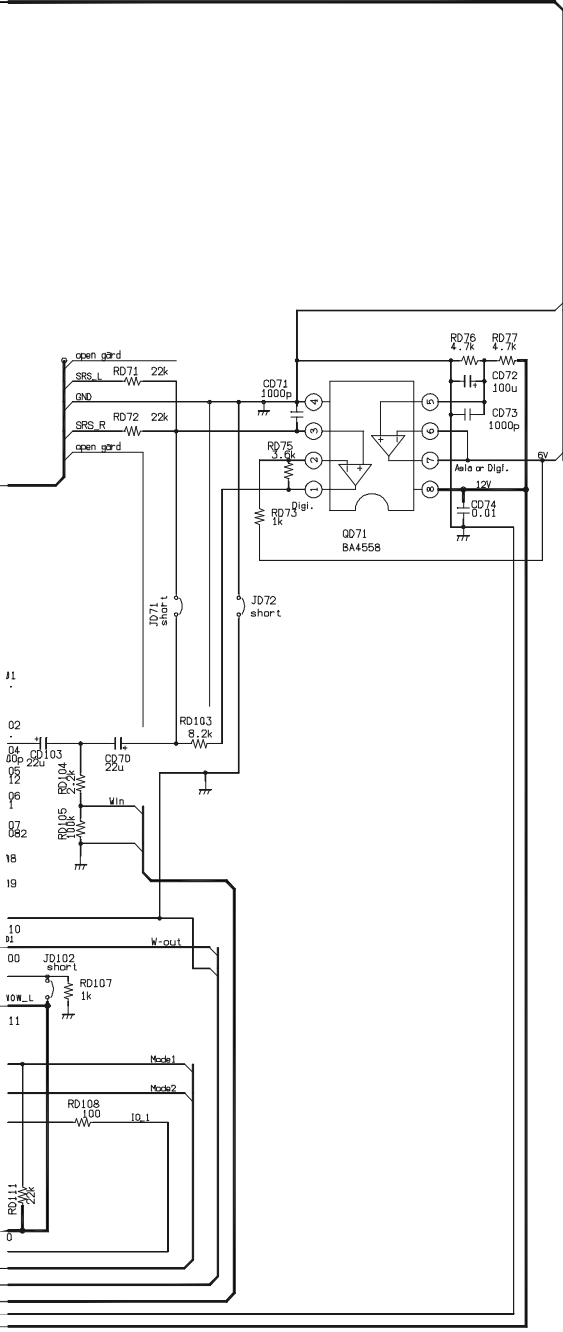
B

C

D

E

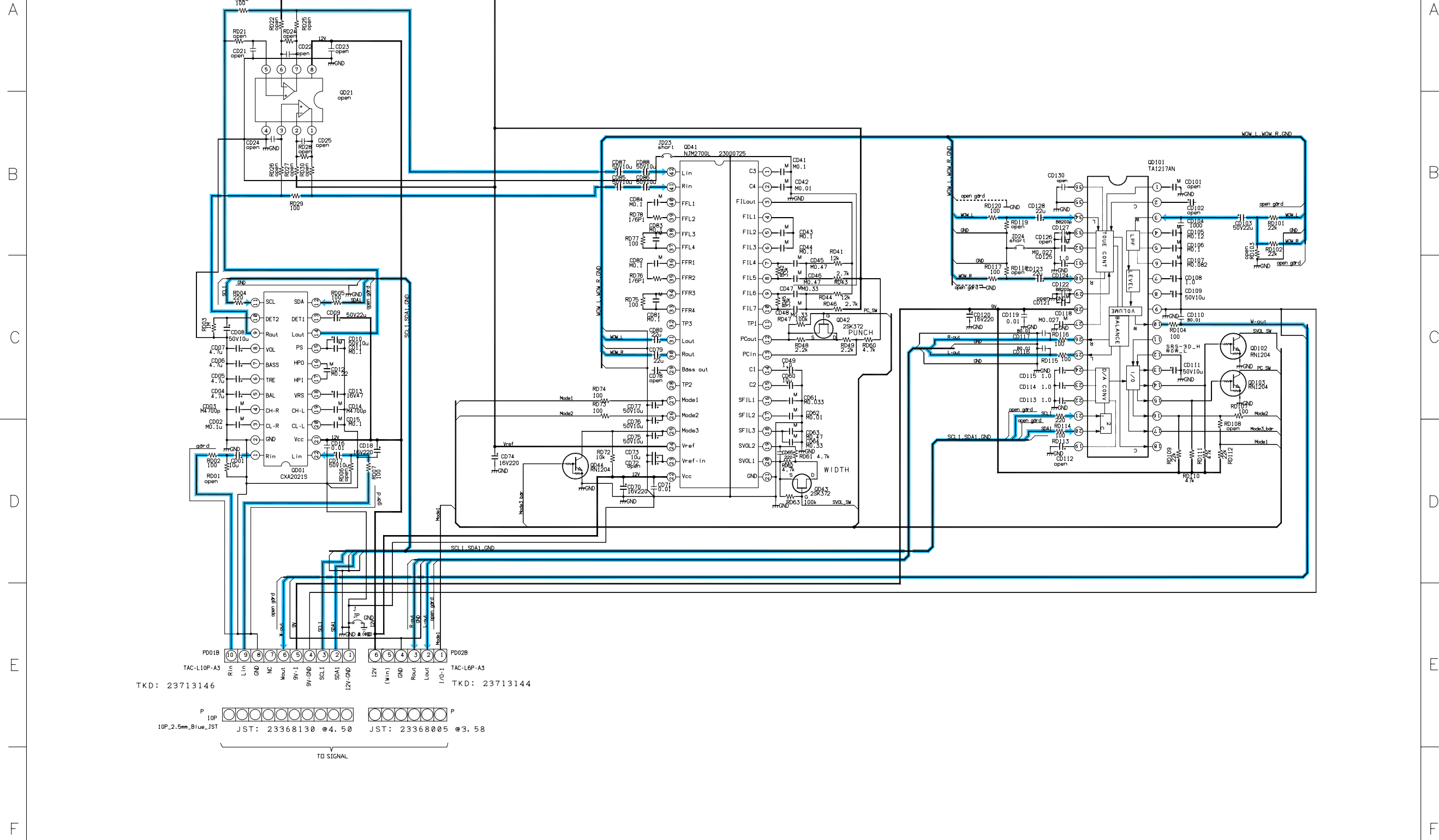
F



SRS3D_ALL
 A-Pro_ALL
 50H81

5 6 7 8

1 2 3 4 5 6 7 8



WOW
50H81

1 2 3 4 5 6 7 8

A

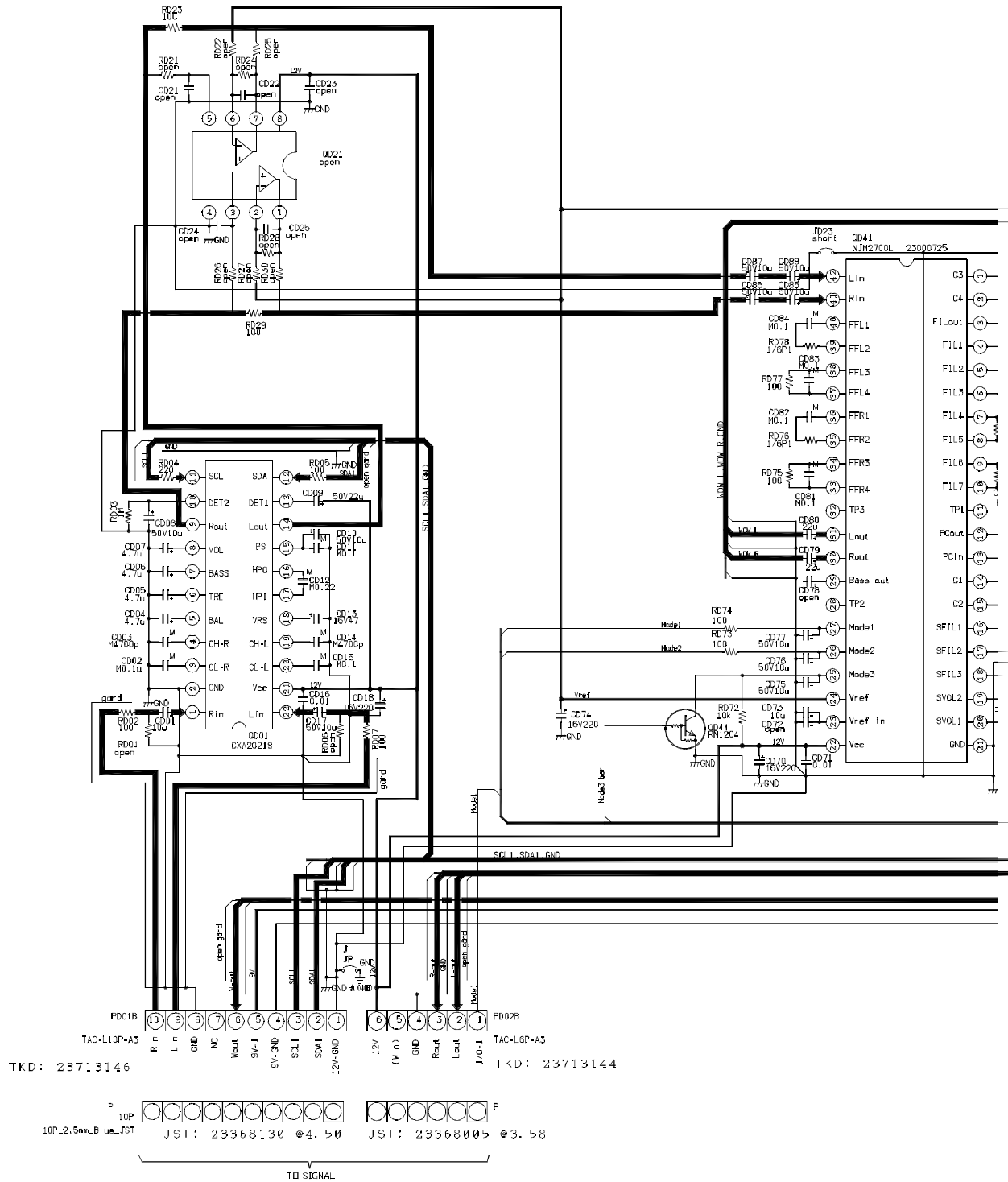
B

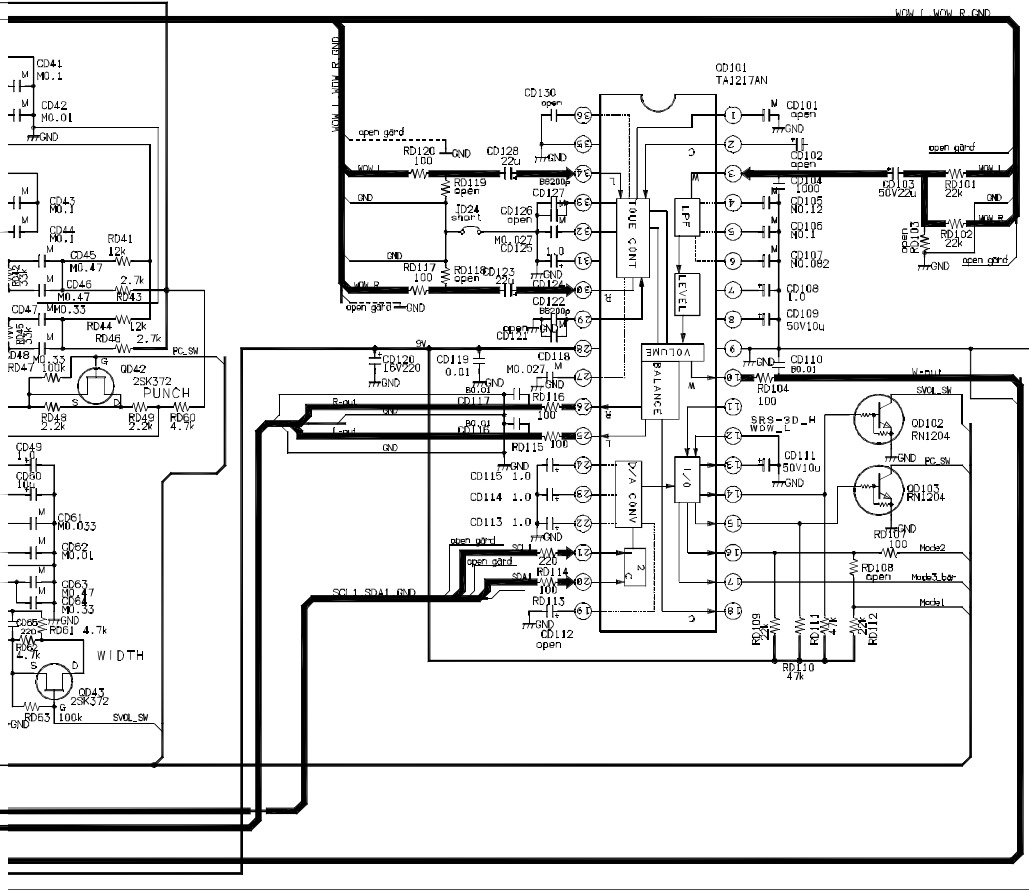
C

D

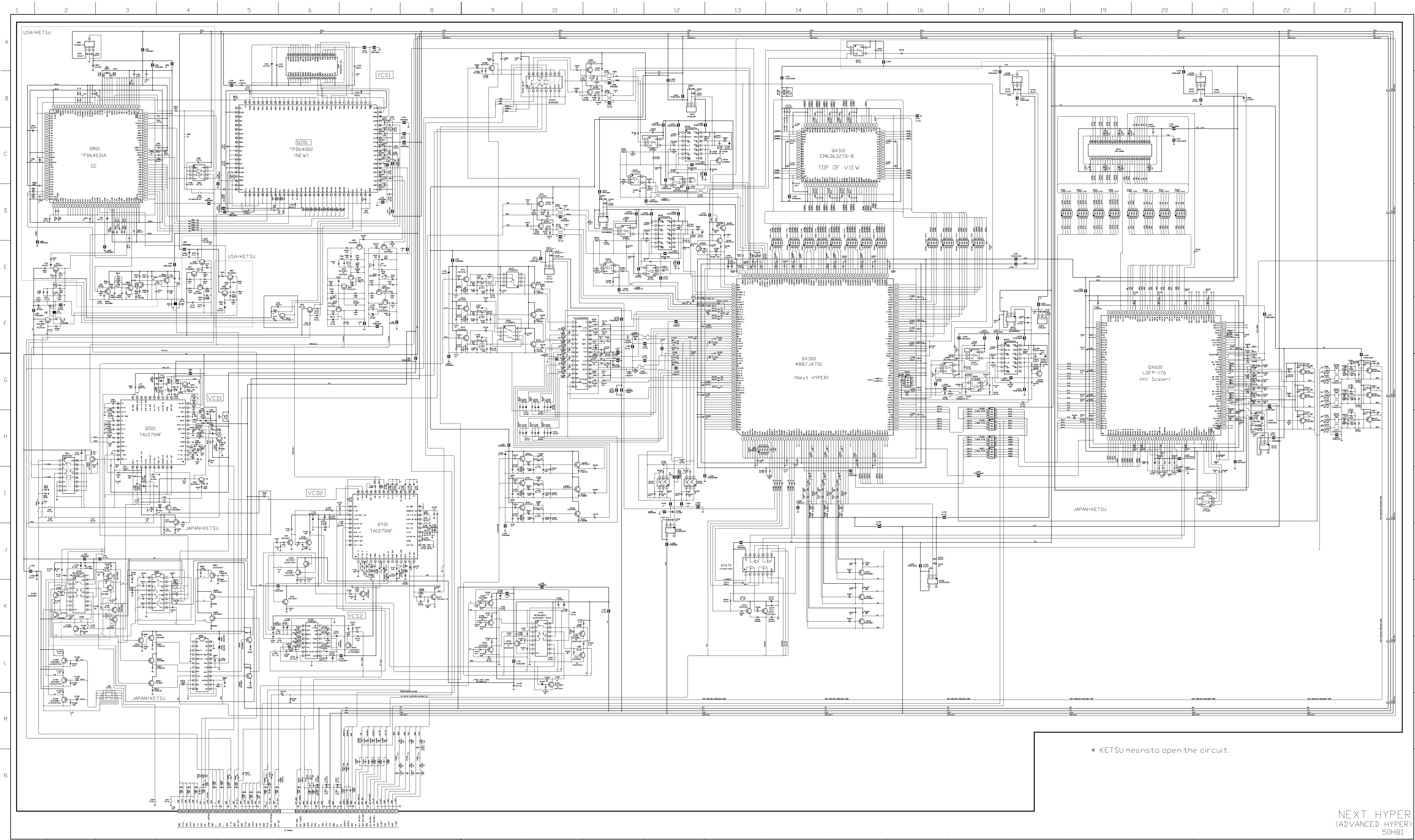
E

F





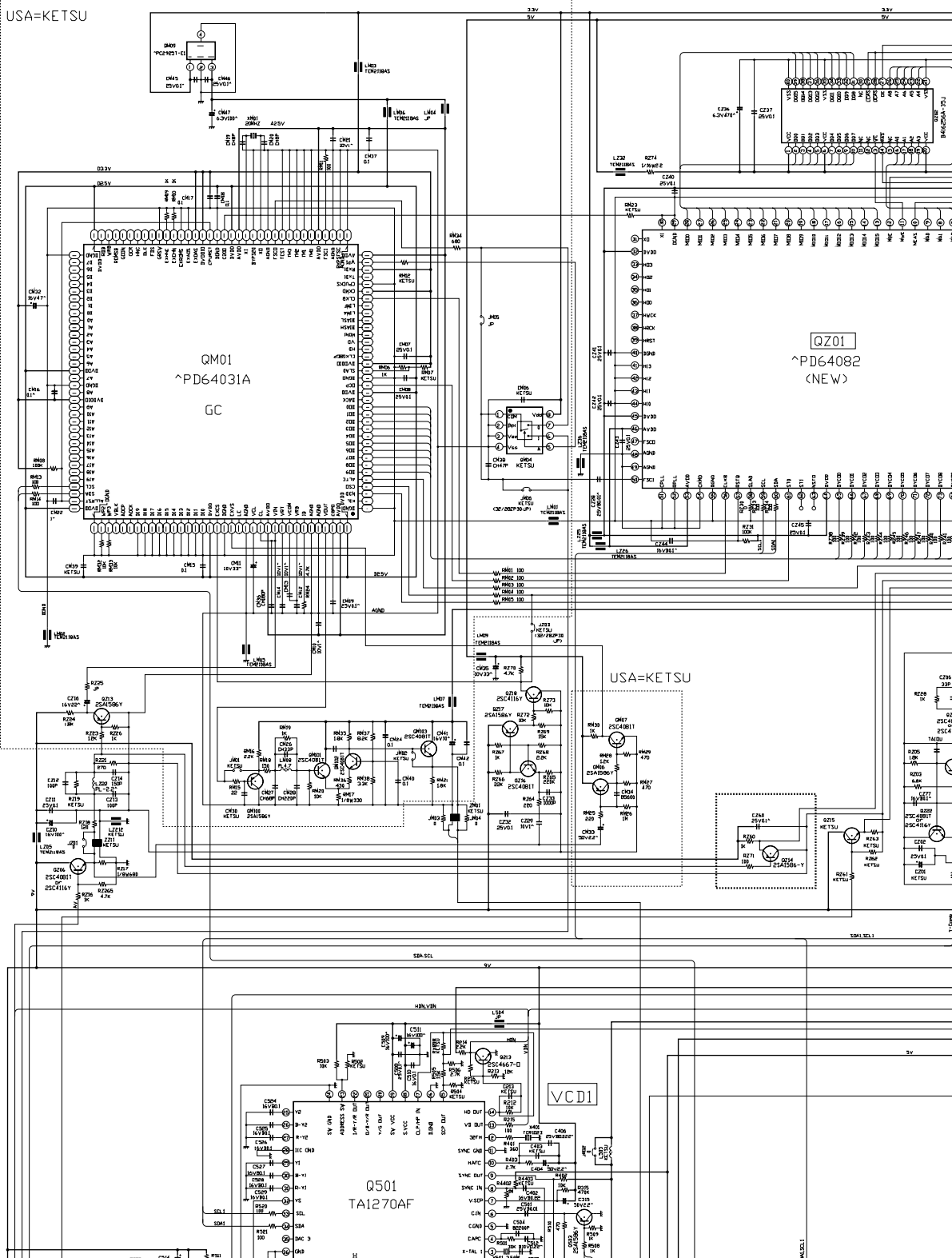
WOW
50H81

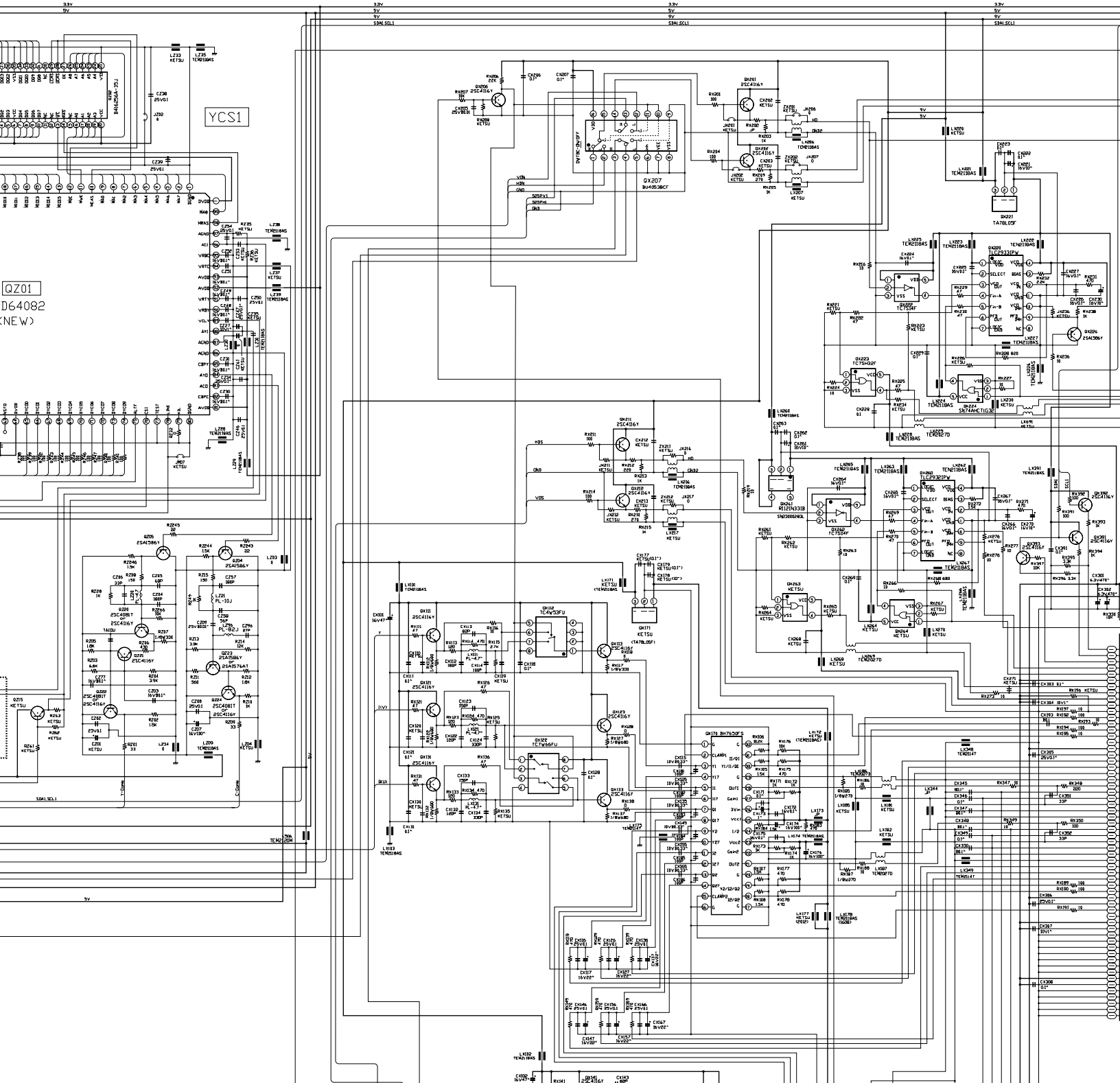


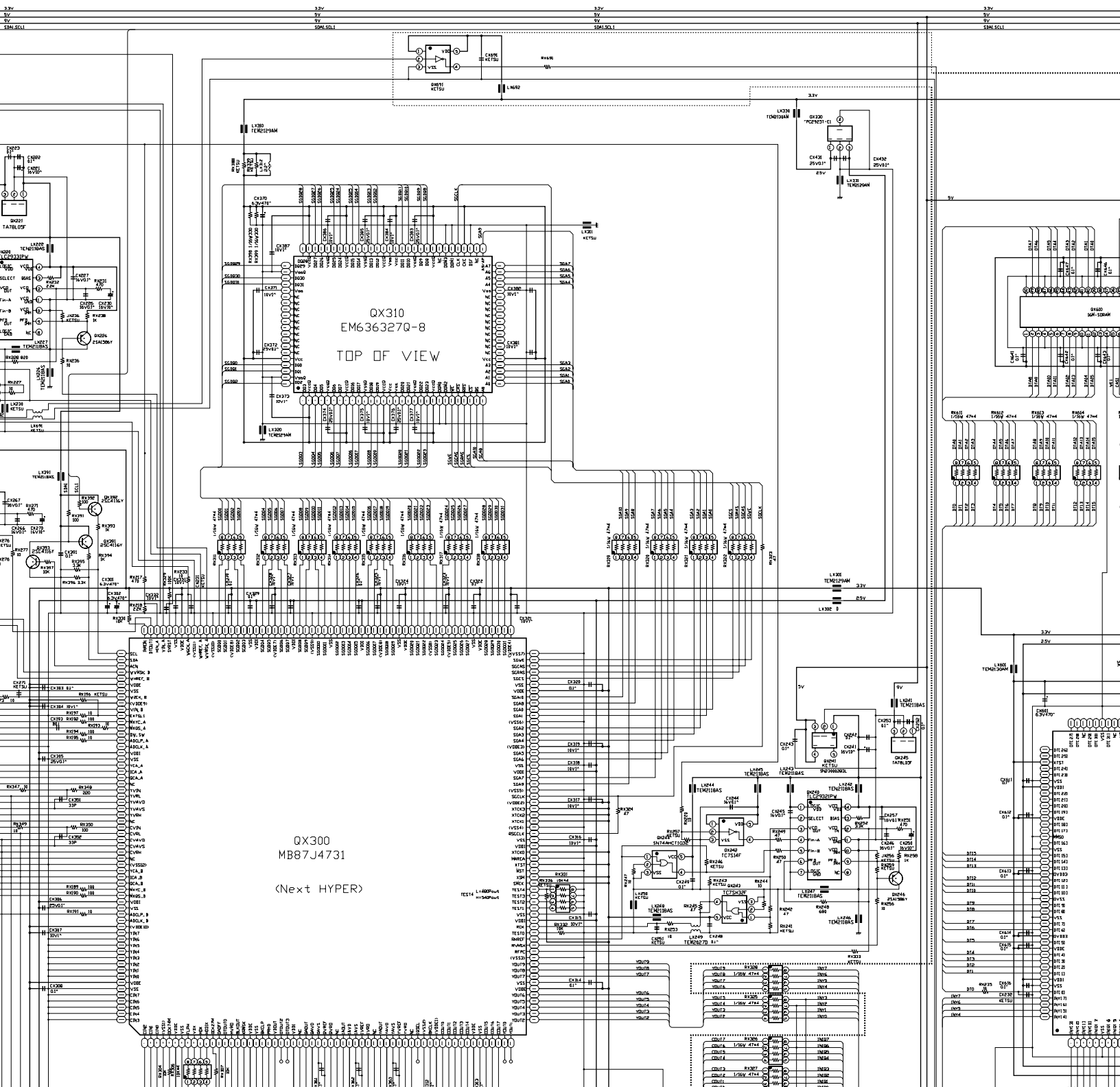
* KETSU meansto open the circuit.

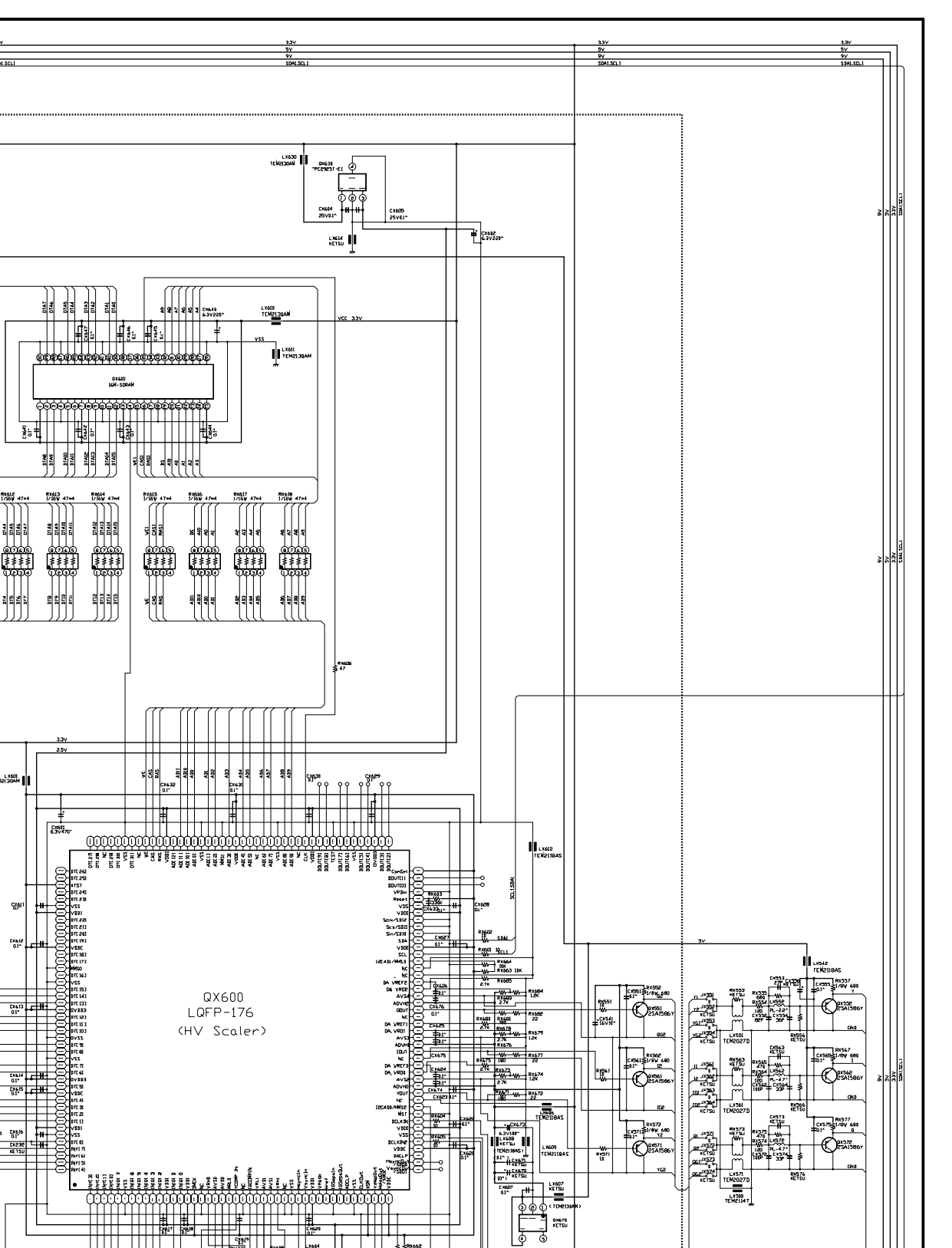
1 2 3 4 5 6

A
B
C
D
E
F
G
H





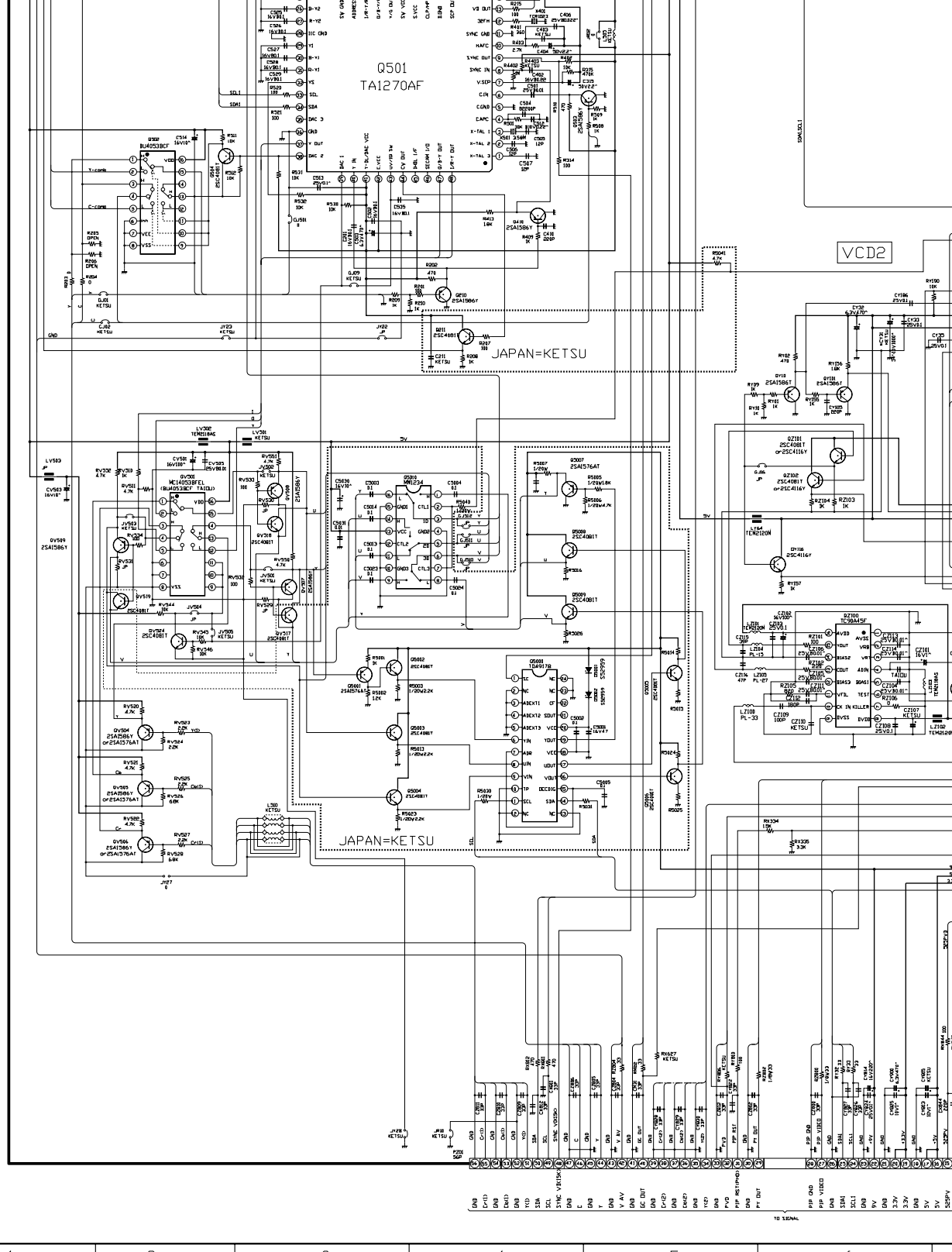




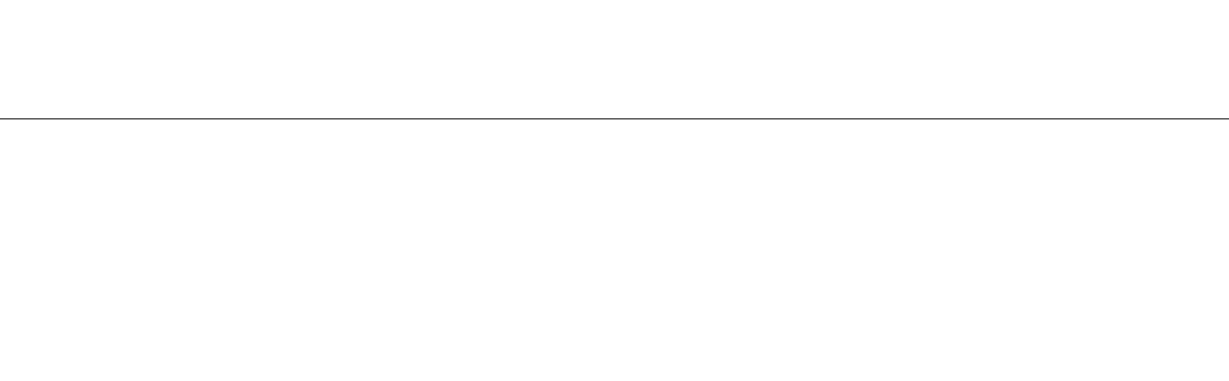
QX600
LVQFP-176
(HV Scaler)

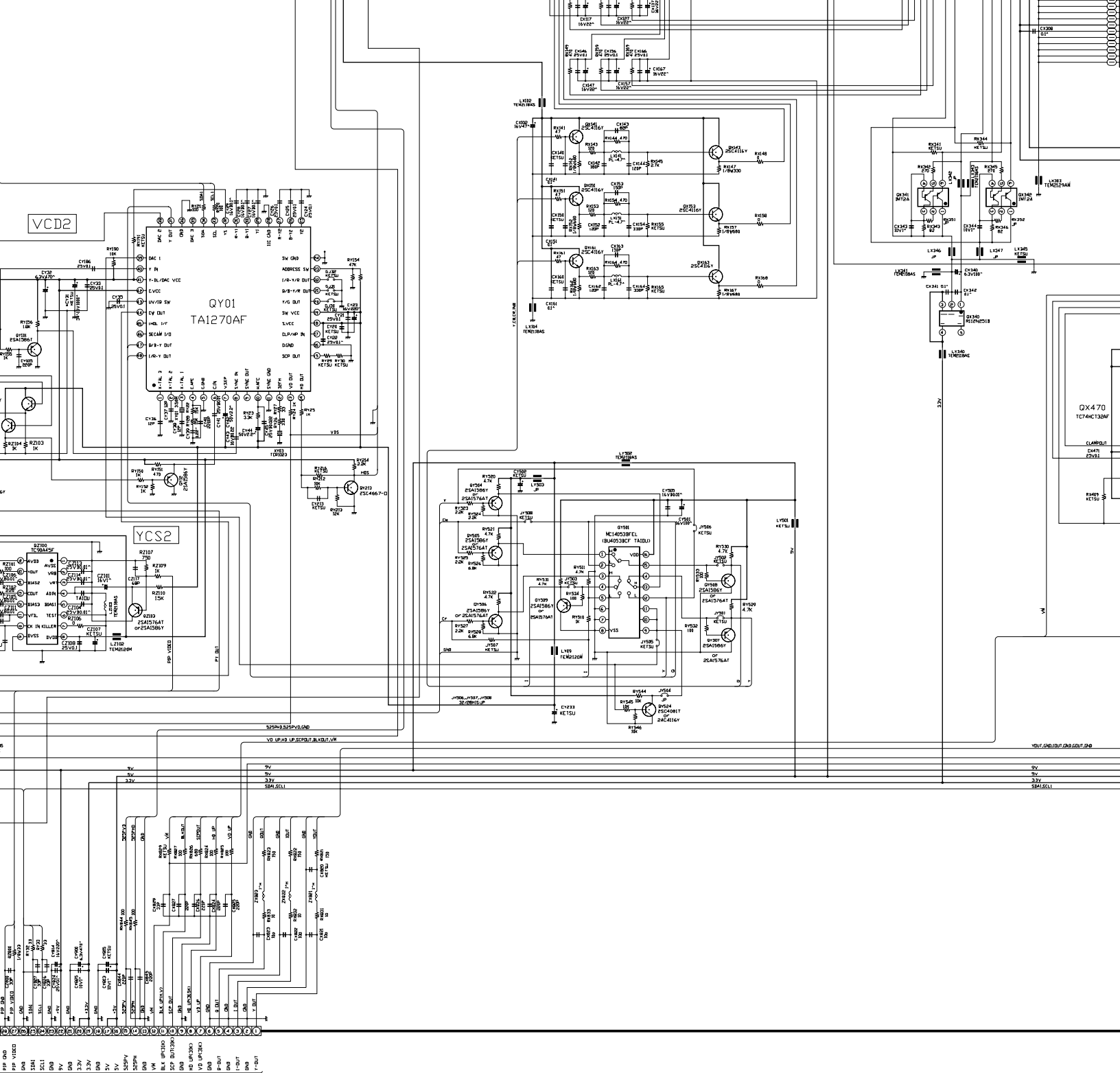
A
B
C
D
E
F
G
H

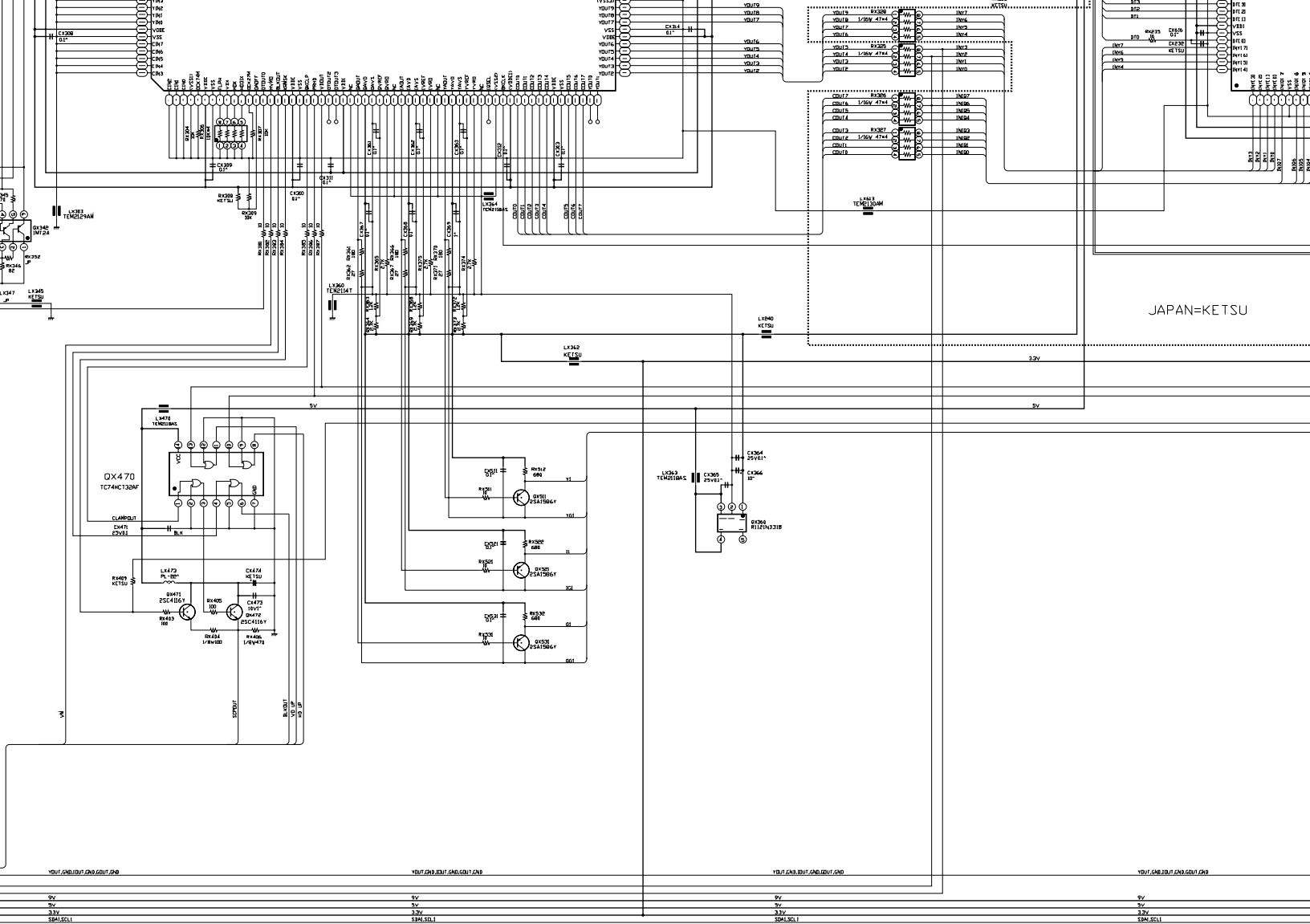
H
I
J
K
L
M
N



Pin	Signal
1	OH
2	EH
3	CH
4	DH
5	YD
6	YH
7	SH
8	SL
9	SEL
10	SEL
11	SEL
12	SEL
13	SEL
14	SEL
15	SEL
16	SEL
17	SEL
18	SEL
19	SEL
20	SEL







JAPAN=KETSU

* KETSU

